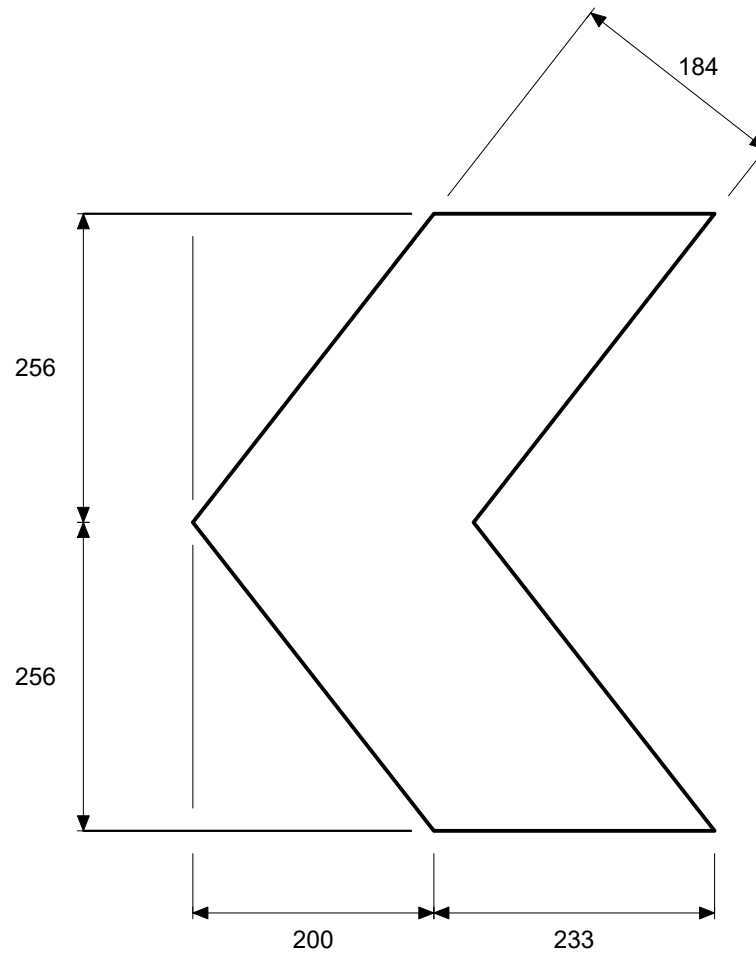


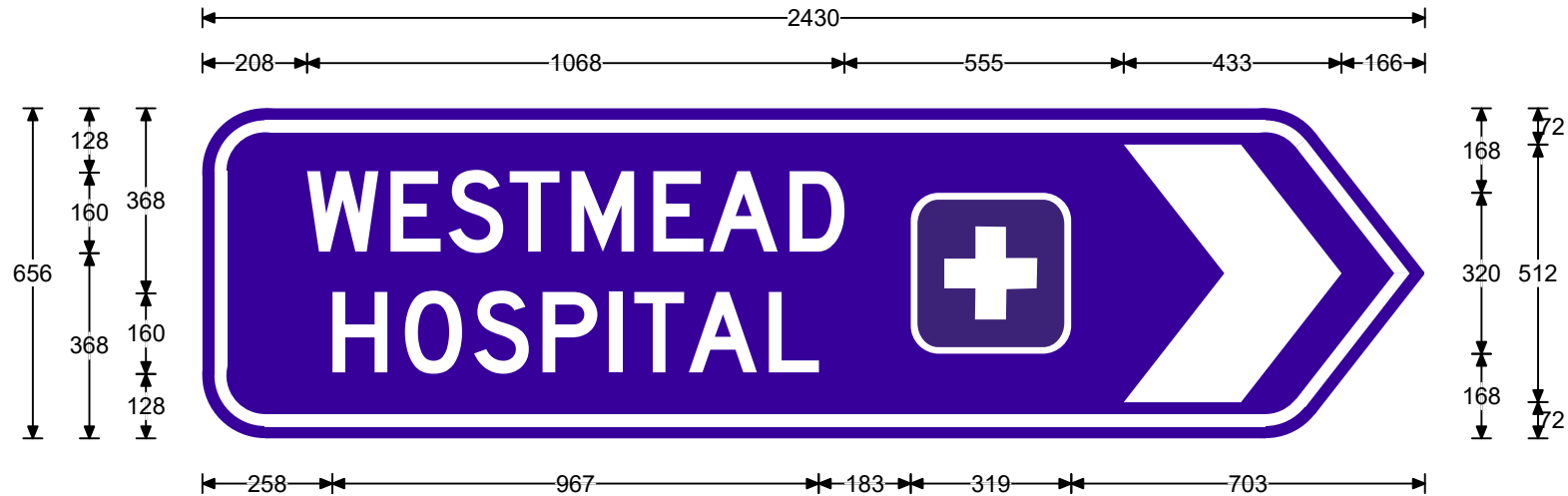
<u>Legend</u>	<u>Font Type</u>	<u>Font Size</u>
WESTMEAD	FHWA Series D2000EX	160
HOSPITAL	FHWA Series D2000EX	160

Specifications: Aluminium Sign Cl.400 White refl lgd(AS1906.1) Cl.400 Blue refl grd(AS1906.1) Service Facility Patch:-Cl.400 White refl lgd(AS1906.1)/Cl.400 Blue refl grd(AS1906.1) with Cl.400 White refl bdr(AS1906.1)	Size:	656 x 2430	Date:	14/10/22
	Area:	1.59 sq.m	Scale:	1:15
	Border:	24 x 24	Drawn:	daviesm
	Cnr Rad:	125	Checked:	
	Patch CR:	NA	File:	g7-288n_1
		Path:	H:\Signs\TTTTDRAWINGS\GUIDE\TrasiCAD	
Prepared using TraSiCAD Product of QMR			G7-288n(L) (Example Only)	



Details of Sign Face Symbols

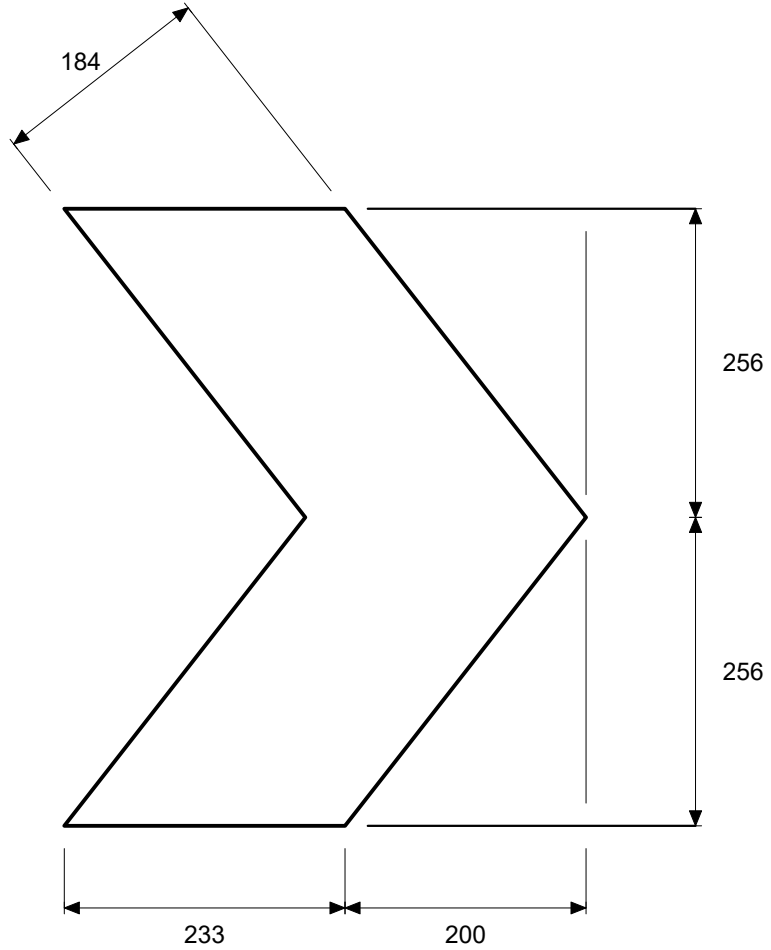
Size:	656 x 2430	Date:	14/10/22
Area:	1.59 sq.m		
Border:	24 x 24	Drawn:	daviesm
Cnr Rad:	125	Checked:	
		File:	g7-288n_l
		Path:	H:\Signs\TTT\DRAWINGS\SIGUIDE\TrasiCAD
Prepared using TraSiCAD Product of QMR		G7-288n(L) (Example Only)	



<u>Legend</u>	<u>Font Type</u>	<u>Font Size</u>
WESTMEAD	FHWA Series D2000EX	160
HOSPITAL	FHWA Series D2000EX	160

Specifications:
 Aluminium Sign
 Cl.400 White refl lgd(AS1906.1)
 Cl.400 Blue refl grd(AS1906.1)
 Service Facility Patch:-Cl.400 White refl lgd(AS1906.1)/Cl.400
 Blue refl grd(AS1906.1) with Cl.400 White refl bdr(AS1906.1)

Size:	656 x 2430	Date:	14/10/22
Area:	1.59 sq.m	Scale:	1:15
Border:	24 x 24	Drawn:	daviesm
Cnr Rad:	125	Checked:	
Patch CR:	NA	File:	g7-288n_r
		Path:	H:\Signs\TTT\DRAWINGS\GUIDE\TrasiCAD
Prepared using TraSiCAD Product of QMR		G7-288n(R) (Example Only)	



Details of Sign Face Symbols

Size:	656 x 2430	Date:	14/10/22
Area:	1.59 sq.m		
Border:	24 x 24	Drawn:	daviesm
Cnr Rad:	125	Checked:	
		File:	g7-288n_r
		Path:	H:\Signs\TTT\DRAWINGS\GUIDE\TrasiCAD
		G7-288n(R) (Example Only)	
Prepared using TraSiCAD Product of QMR			