

**Legend**

AIRPORT

**Font Type**

FHWA Series D2000EX

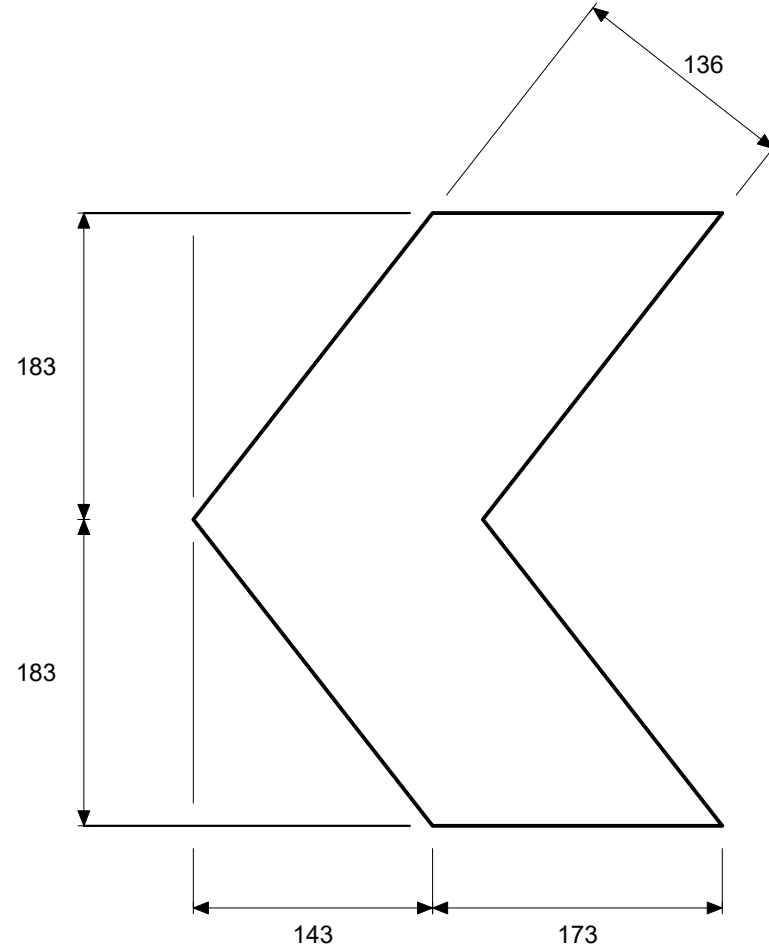
**Font Size**

160

**Specifications:**

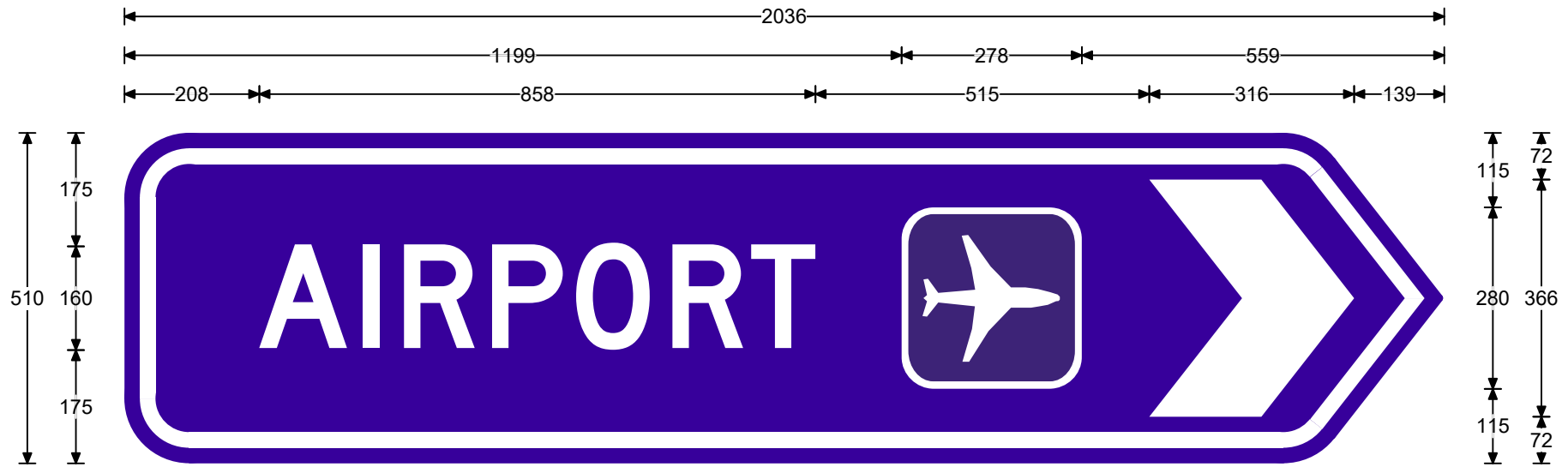
Aluminium Sign  
 Cl.400 White refl lgd(AS1906.1)  
 Cl.400 Blue refl grd(AS1906.1)  
 Service Facility Patch:-Cl.400 White refl lgd(AS1906.1)/Cl.400  
 Blue refl grd(AS1906.1) with Cl.400 White refl bdr(AS1906.1)

Size:	510 x 2036	Date:	17/10/22
Area:	1.04 sq.m	Scale:	1:10
Border:	24 x 24	Drawn:	daviesm
Cnr Rad:	100	Checked:	
Patch CR:	NA	File:	g7-291n_l
		Path:	H:\Signs\TTT\DRAWINGS\GUIDE\TrasiCAD
Prepared using TraSiCAD Product of QMR		<b>G7-291n(L)</b> <b>(Example Only)</b>	



**Details of Sign Face Symbols**

Size:	510 x 2036	Date:	17/10/22
Area:	1.04 sq.m		
Border:	24 x 24	Drawn:	daviesm
Cnr Rad:	100	Checked:	
		File:	g7-291n_l
		Path:	H:\Signs\TTT\DRAWINGS\SIGUIDE\TrasiCAD
Prepared using TraSiCAD Product of QMR		<b>G7-291n(L)</b> <b>(Example Only)</b>	



**Legend**

AIRPORT

**Font Type**

FHWA Series D2000EX

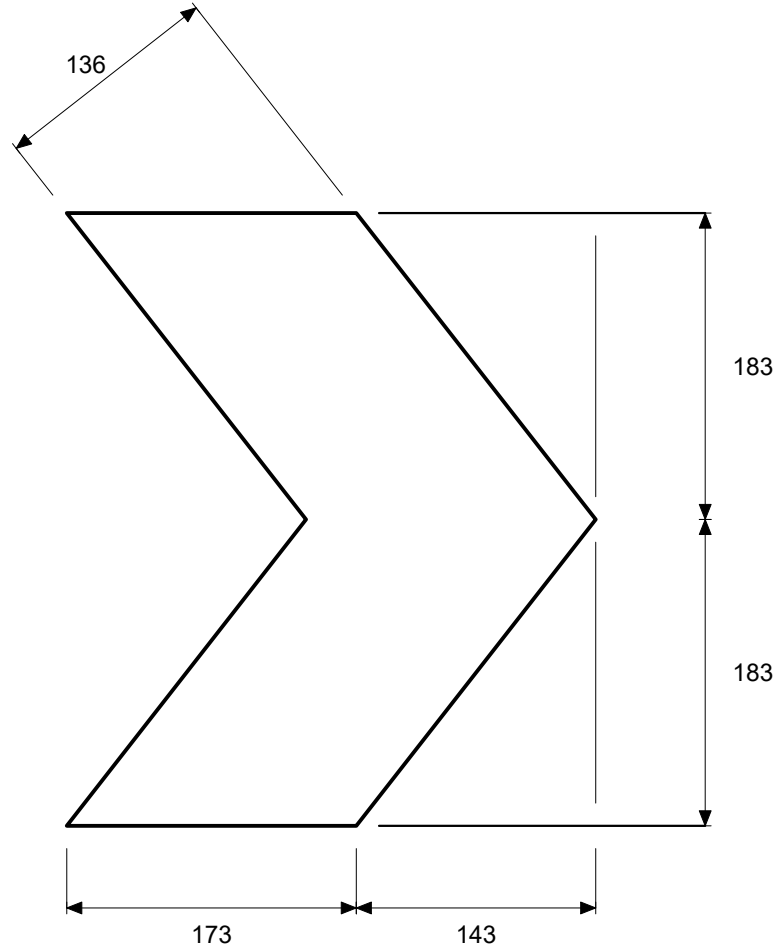
**Font Size**

160

**Specifications:**

Aluminium Sign  
 Cl.400 White refl lgd(AS1906.1)  
 Cl.400 Blue refl grd(AS1906.1)  
 Service Facility Patch:-Cl.400 White refl lgd(AS1906.1)/Cl.400  
 Blue refl grd(AS1906.1) with Cl.400 White refl bdr(AS1906.1)

Size:	510 x 2036	Date:	17/10/22
Area:	1.04 sq.m	Scale:	1:10
Border:	24 x 24	Drawn:	daviesm
Cnr Rad:	100	Checked:	
Patch CR:	NA	File:	g7-291n_r
		Path:	H:\Signs\TTTTDRAWINGS\GUIDE\TrasiCAD
Prepared using TraSiCAD Product of QMR		<b>G7-291n(R)</b> (Example Only)	



**Details of Sign Face Symbols**

Size:	510 x 2036	Date:	17/10/22
Area:	1.04 sq.m		
Border:	24 x 24	Drawn:	daviesm
Cnr Rad:	100	Checked:	
		File:	g7-291n_r
		Path:	H:\Signs\TTT\DRAWINGS\GUIDE\TrasiCAD
Prepared using TraSiCAD Product of QMR		<b>G7-291n(R)</b> <b>(Example Only)</b>	