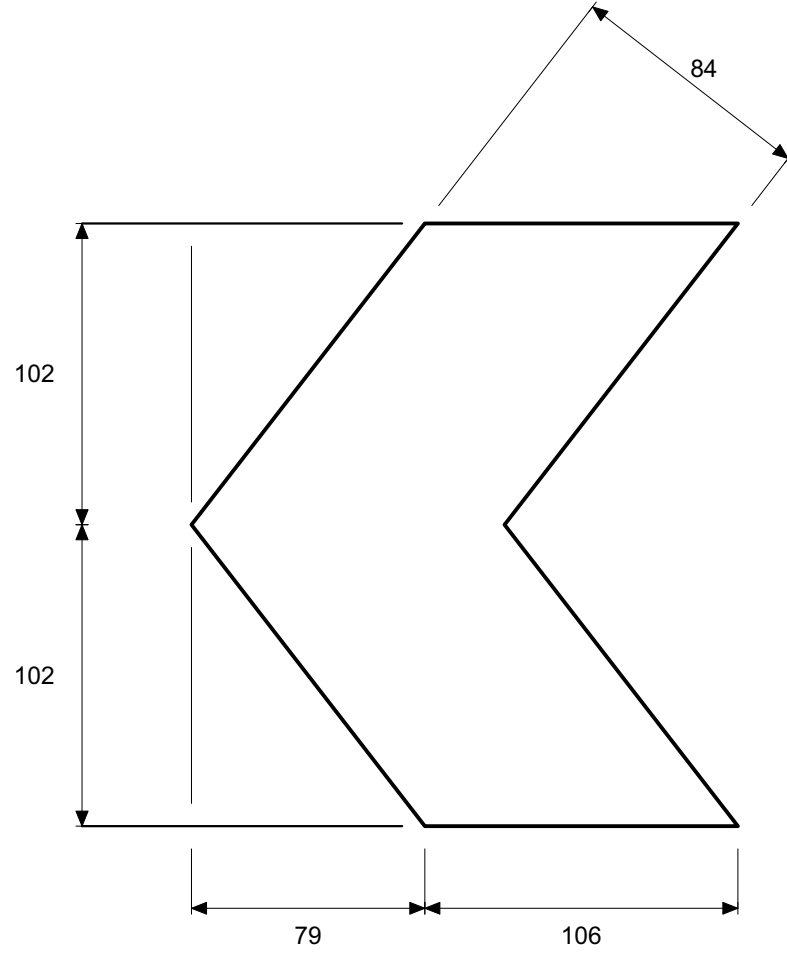




<u>Legend</u>	<u>Font Type</u>	<u>Font Size</u>
AIRPORT	FHWA Series D2000EX	140
5	FHWA Series E2000EX	140

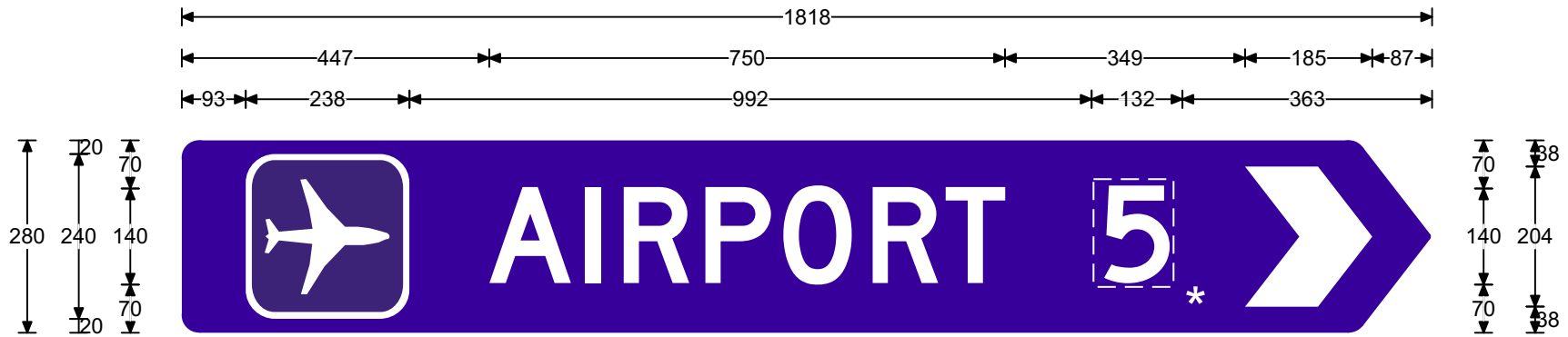
* Varies

Specifications: Aluminium Sign Cl.400 White refl lgd(AS1906.1) Cl.400 Blue refl grd(AS1906.1) Service Facility Patch:-Cl.400 White refl lgd(AS1906.1)/Cl.400 Blue refl grd(AS1906.1) with Cl.400 White refl bdr(AS1906.1)	Size:	280 x 1818	Date:	17/10/22
	Area:	0.51 sq.m	Scale:	1:10
	Border:	0 x 0	Drawn:	daviesm
	Cnr Rad:	25	Checked:	
	Patch CR:	NA	File:	g7-292n_1
		Path:	H:\Signs\TTTT\DRAWINGS\GUIDE\TrasiCAD	
	Prepared using TraSiCAD Product of QMR		G7-292n(L) (Example Only)	



Details of Sign Face Symbols

Size:	280 x 1818	Date:	17/10/22
Area:	0.51 sq.m		
Border:	0 x 0	Drawn:	daviesm
Cnr Rad:	25	Checked:	
		File:	g7-292n_l
		Path:	H:\Signs\TTT\DRAWINGS\GUIDE\TrasiCAD
Prepared using TraSiCAD Product of QMR		G7-292n(L) (Example Only)	



Legend

AIRPORT
5

Font Type

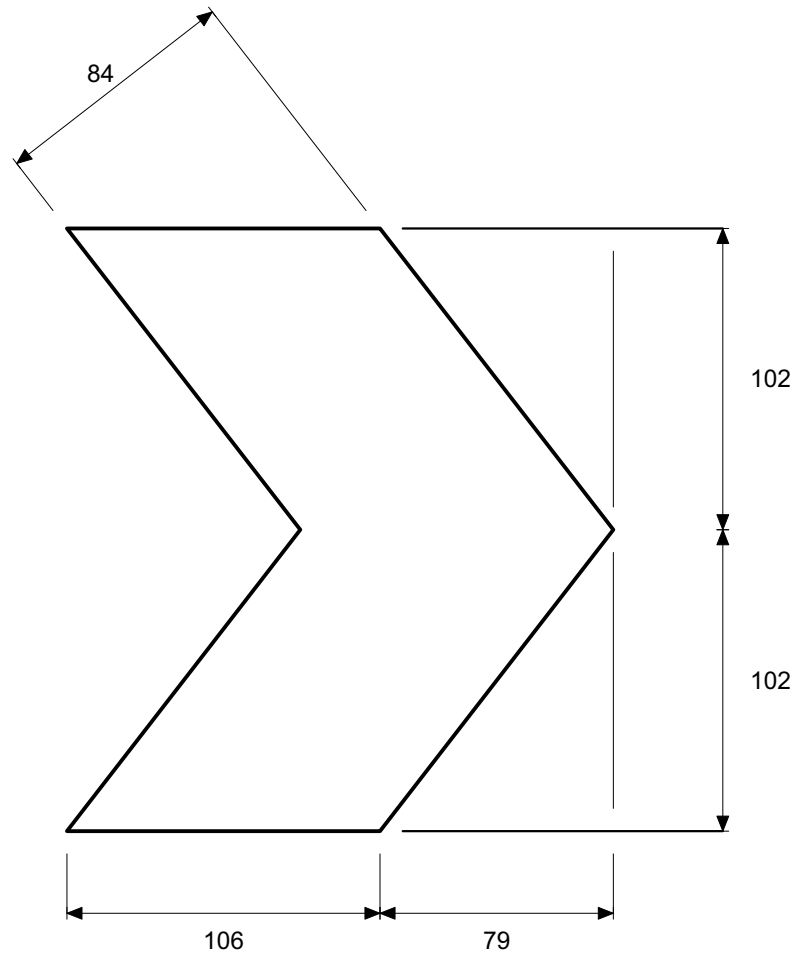
FHWA Series D2000EX
FHWA Series E2000EX

Font Size

140
140

* Varies

Specifications: Aluminium Sign Cl.400 White refl lgd(AS1906.1) Cl.400 Blue refl grd(AS1906.1) Service Facility Patch:-Cl.400 White refl lgd(AS1906.1)/Cl.400 Blue refl grd(AS1906.1) with Cl.400 White refl bdr(AS1906.1)	Size:	280 x 1818	Date:	17/10/22
	Area:	0.51 sq.m	Scale:	1:10
	Border:	0 x 0	Drawn:	daviesm
	Cnr Rad:	25	Checked:	
	Patch CR:	NA	File:	g7-292n_r
		Path:	H:\Signs\TTTTDRAWINGS\GUIDE\TrasiCAD	
Prepared using TraSiCAD Product of QMR			G7-292n(R) (Example Only)	



Details of Sign Face Symbols

Size:	280 x 1818	Date:	17/10/22
Area:	0.51 sq.m		
Border:	0 x 0	Drawn:	daviesm
Cnr Rad:	25	Checked:	
		File:	g7-292n_r
		Path:	H:\Signs\TTT\DRAWINGS\GUIDE\TrasiCAD
		G7-292n(R) (Example Only)	
Prepared using TraSiCAD Product of QMR			