

Legend

SMALLVILLE
6
AERODROME

Font Type

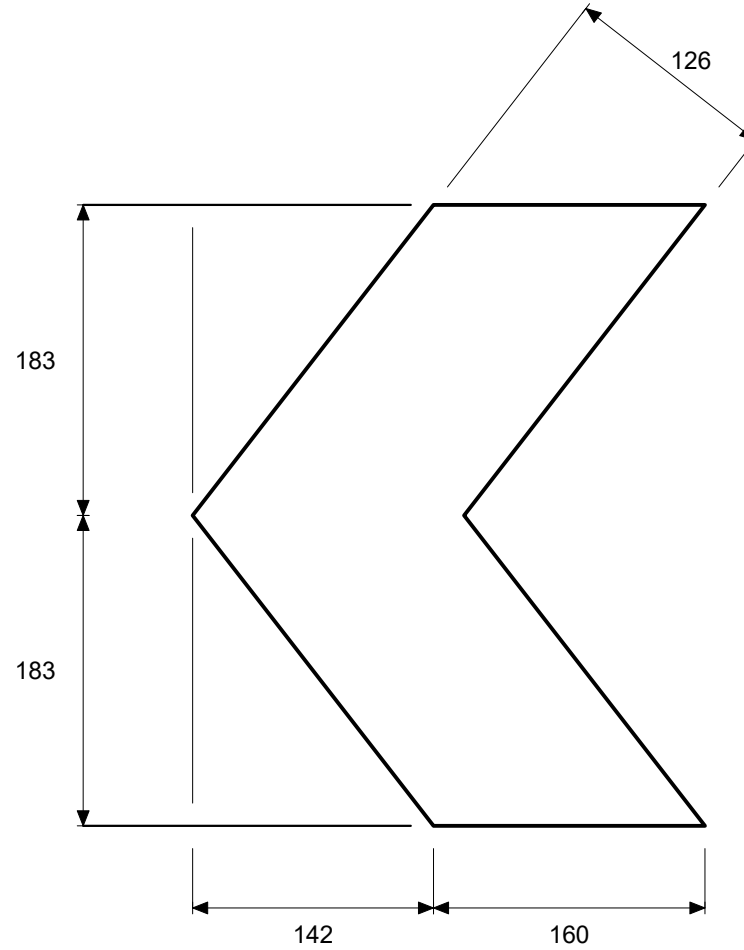
FHWA Series D2000EX
FHWA Series E2000EX
FHWA Series D2000EX

Font Size

140
140
140

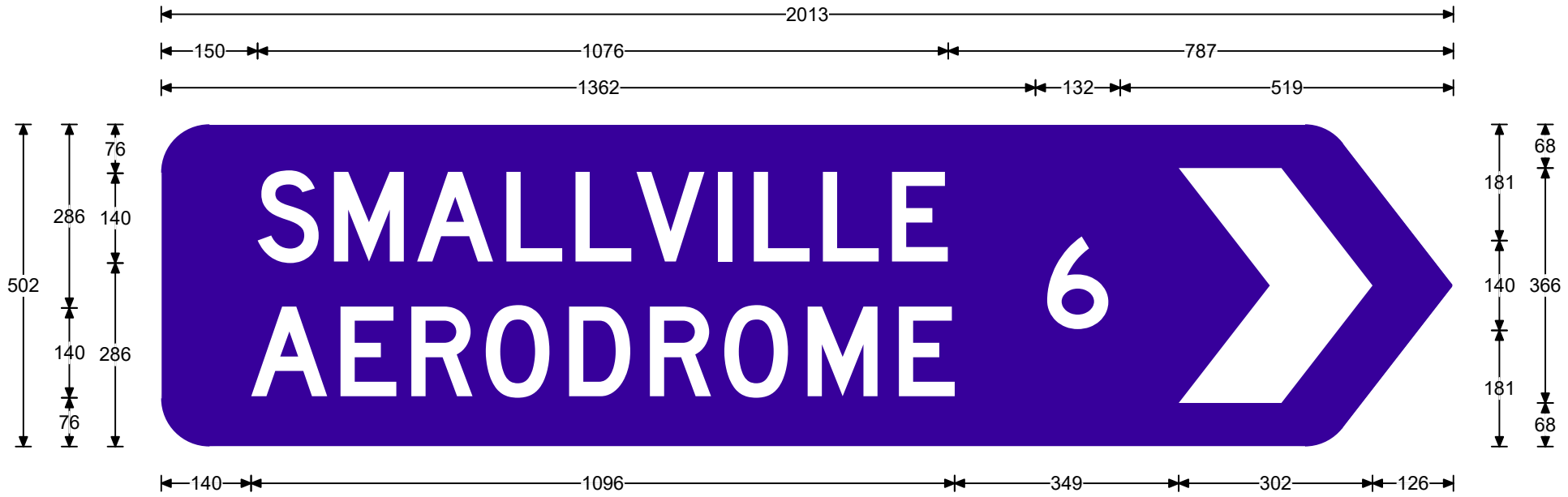
Specifications:
Aluminium Sign
Cl.400 White refl lgd(AS1906.1)
Cl.400 Blue refl grd(AS1906.1)

Size:	502 x 2013	Date:	14/10/22
Area:	1.01 sq.m	Scale:	1:10
Border:	0 x 0	Drawn:	daviesm
Cnr Rad:	75	Checked:	
Patch CR:	NA	File:	g7-293n_l
		Path:	H:\Signs\TTT\DRAWINGS\GUIDE\TrasiCAD
Prepared using TrasiCAD Product of QMR		G7-293n(L) (Example Only)	



Details of Sign Face Symbols

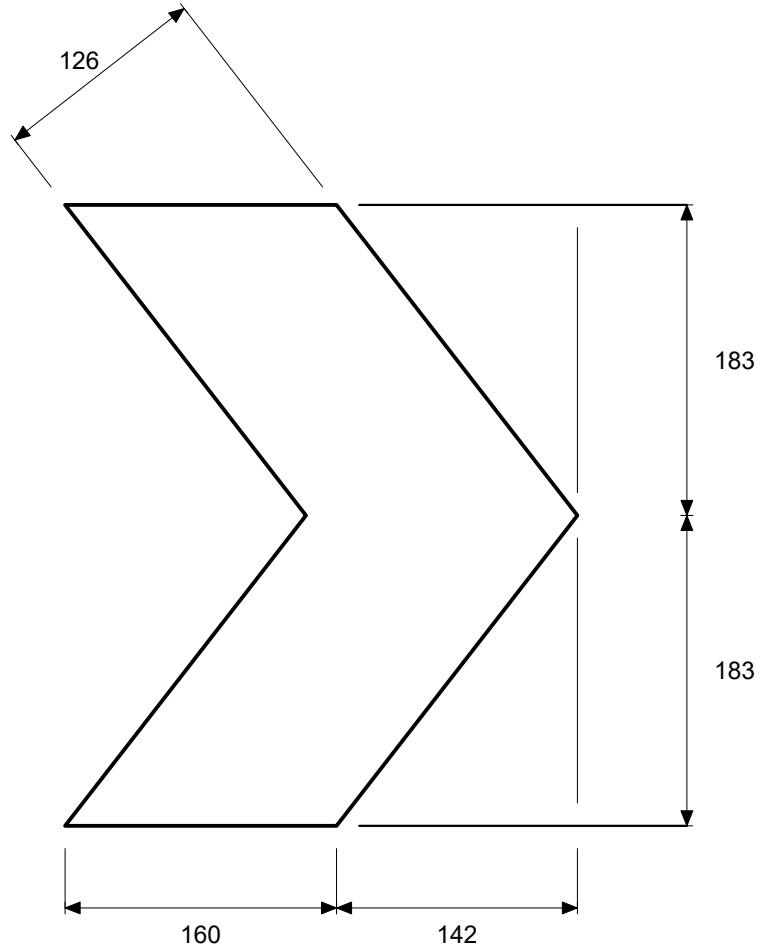
Size:	502 x 2013	Date:	14/10/22
Area:	1.01 sq.m		
Border:	0 x 0	Drawn:	daviesm
Cnr Rad:	75	Checked:	
		File:	g7-293n_l
		Path:	H:\Signs\TTT\DRAWINGS\SIGUIDE\TrasiCAD
Prepared using TraSiCAD Product of QMR		G7-293n(L) (Example Only)	



Legend	Font Type	Font Size
SMALLVILLE	FHWA Series D2000EX	140
6	FHWA Series E2000EX	140
AERODROME	FHWA Series D2000EX	140

Specifications:
 Aluminium Sign
 Cl.400 White refl lgd(AS1906.1)
 Cl.400 Blue refl grd(AS1906.1)

Size:	502 x 2013	Date:	14/10/22
Area:	1.01 sq.m	Scale:	1:9.6
Border:	0 x 0	Drawn:	daviesm
Cnr Rad:	75	Checked:	
Patch CR:	NA	File:	g7-293n_r
		Path:	H:\Signs\TTT\DRAWINGS\GUIDE\TrasiCAD
Prepared using TraSiCAD Product of QMR		G7-293n(R) (Example Only)	



Details of Sign Face Symbols

Size:	502 x 2013	Date:	14/10/22
Area:	1.01 sq.m		
Border:	0 x 0	Drawn:	daviesm
Cnr Rad:	75	Checked:	
		File:	g7-293n_r
		Path:	H:\Signs\TTT\DRAWINGS\GUIDE\TrasiCAD
		G7-293n(R) (Example Only)	
Prepared using TraSiCAD Product of QMR			