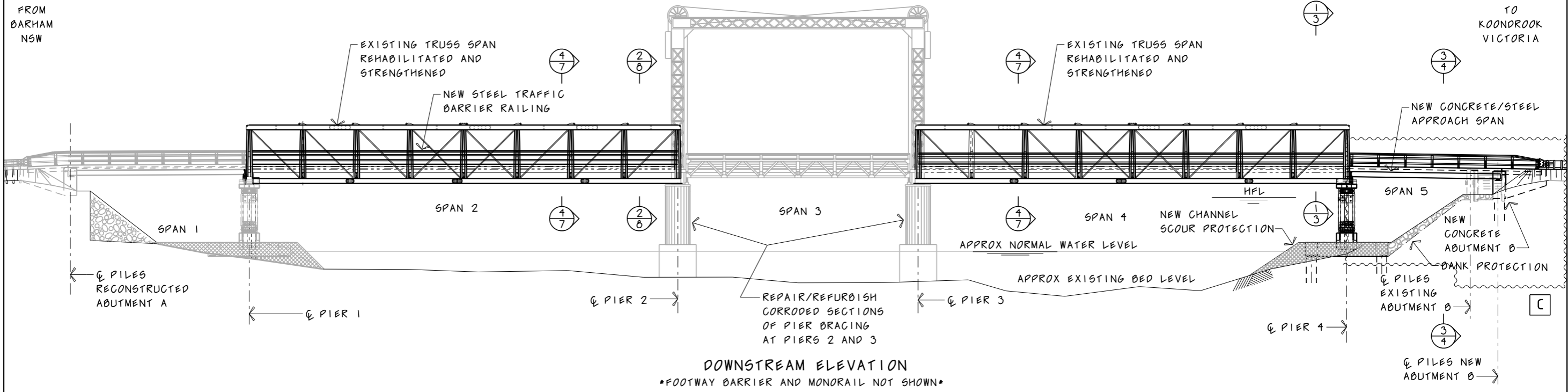


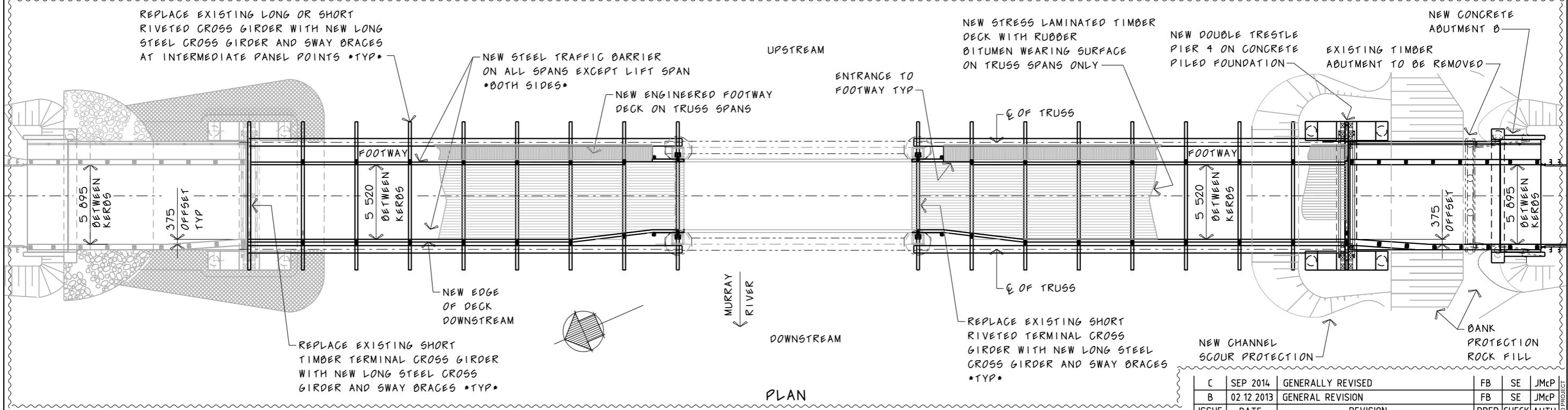
Appendix B

Concept design plans



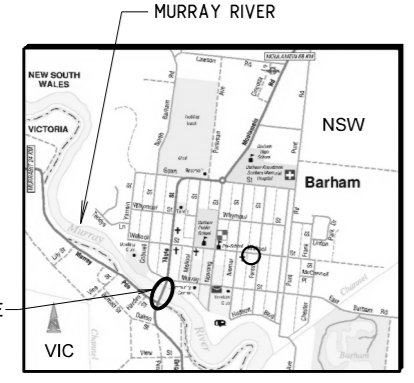
DOWNSTREAM ELEVATION

FOOTWAY BARRIER AND MONORAIL NOT SHOWN



PLAN

MONORAIL AND FOOTWAY STRINGERS NOT SHOWN



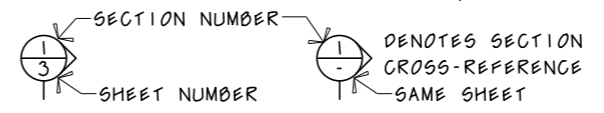
LOCALITY PLAN

THE BRIDGE SITE IS APPROXIMATELY 852 km BY ROAD FROM SYDNEY

GENERAL NOTES

SCALE 0 2 4 6 8 10m OR AS SHOWN

ALL DIMENSIONS ARE SHOWN IN MILLIMETRES.
 EXISTING DETAILS AND DIMENSIONS HAVE BEEN ADOPTED FROM THE ORIGINAL BRIDGE DRAWINGS REG. NO. 0319 496 BC 0112 *FOR SPANS 2 TO 5* AND 0319 496 BC 0126 *FOR SPAN 1*
 UB DENOTES UNIVERSAL BEAM.
 TYP DENOTES ALL SUCH COMPONENTS IN ALL LOCATIONS.
 HFL DENOTES HIGH FLOOD LEVEL.
 NWL DENOTES NORMAL FLOOD LEVEL.



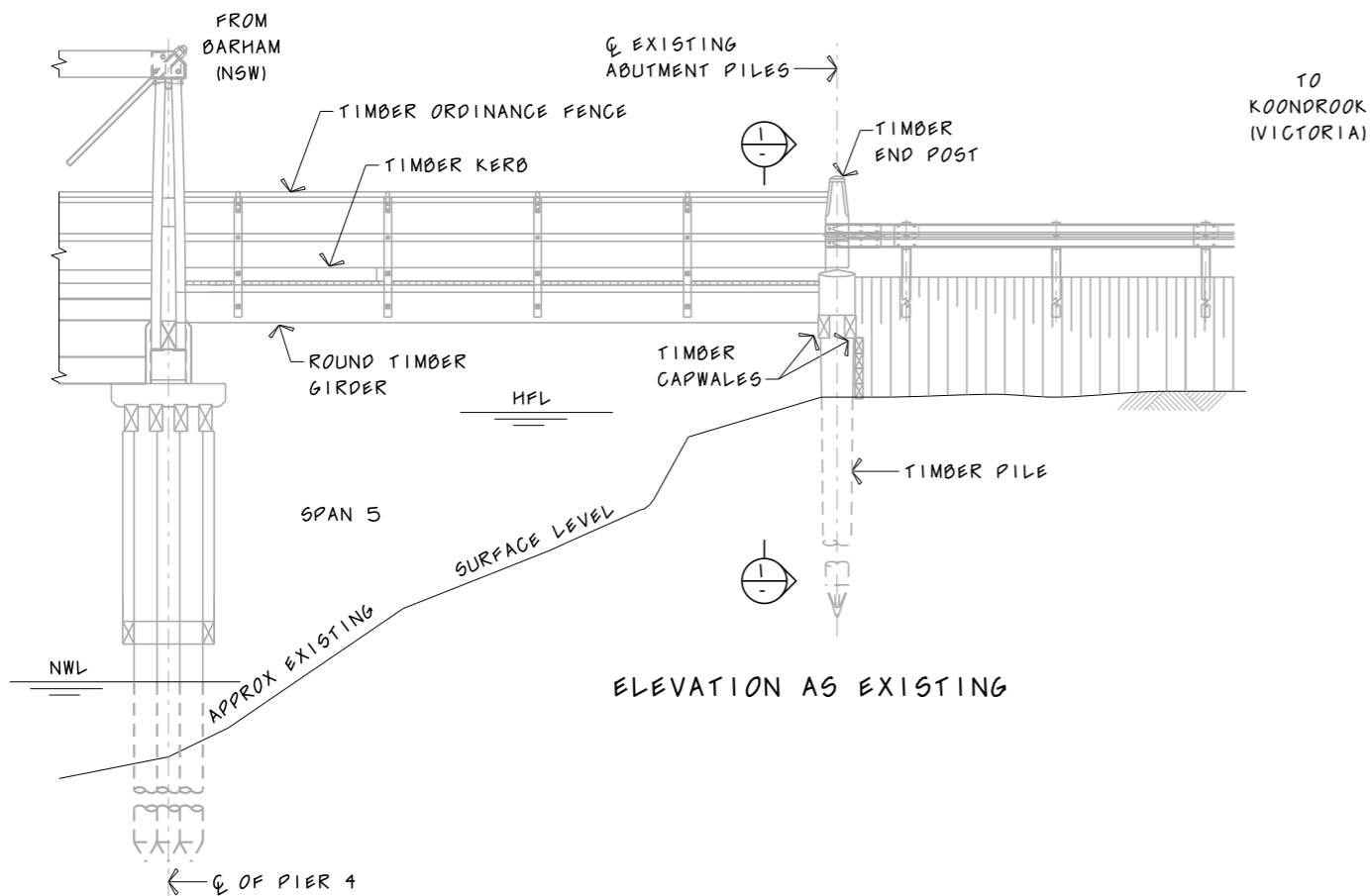
C	SEP 2014	GENERALLY REVISED	FB	SE	JMcP
B	02.12.2013	GENERAL REVISION	FB	SE	JMcP
ISSUE	DATE	REVISION	PREP	CHECK	AUTH

MAIN ROAD No 319 SHIRE OF WAKOOL
BRIDGE OVER MURRAY RIVER AT BARHAM
 BRIDGE REHABILITATION - HERITAGE CONCEPT SKETCH
 GENERAL ARRANGEMENT

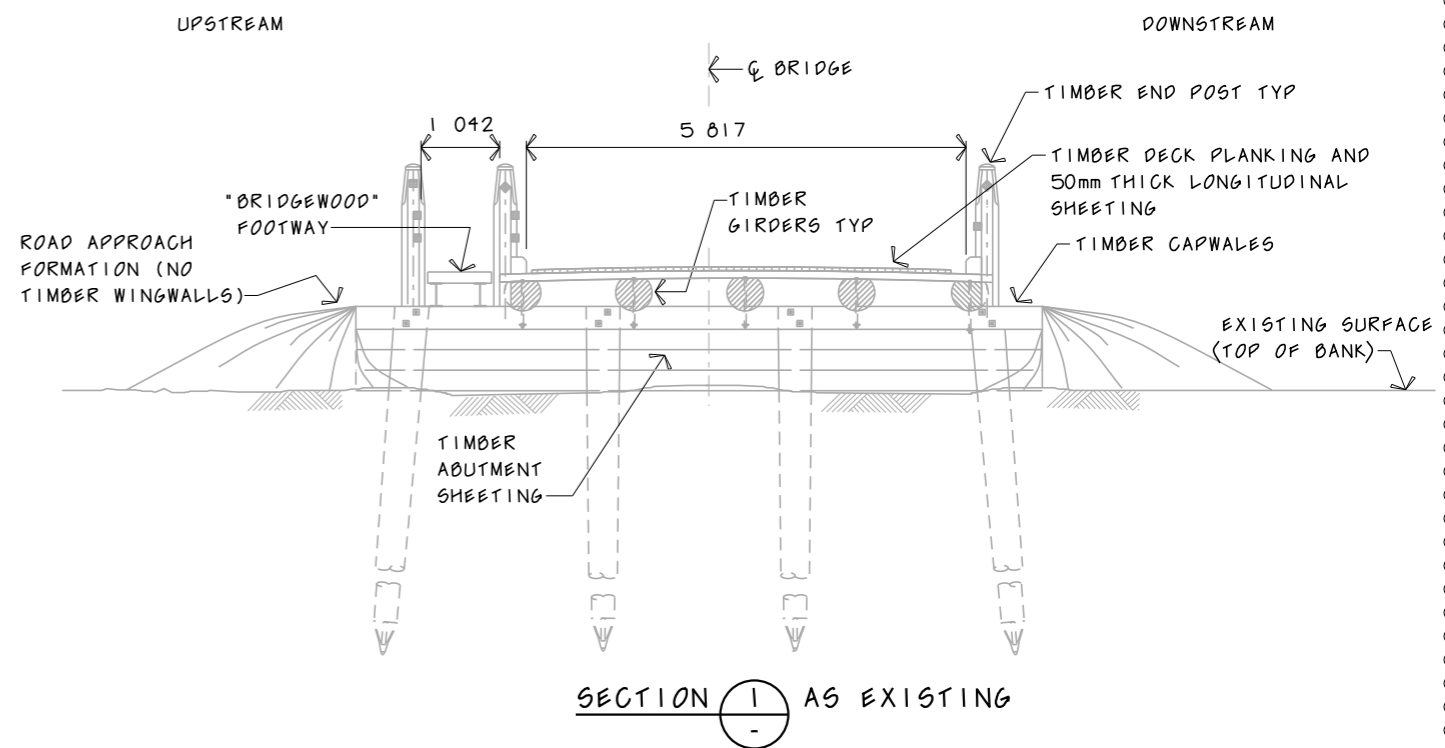


PREPARED BY
 BRIDGE AND STRUCTURAL ENGINEERING BRANCH
 110 GEORGE STREET PARRAMATTA NSW 2150
 PHONE (02) 8837-0832 FACSIMILE (02) 8837-0023
 CLIENT:
 SOUTH WEST REGIONAL OFFICE
 1 SIMMONS STREET WAGGA WAGGA
 PHONE (02) 6938-1111 FACSIMILE (02) 6938-1183

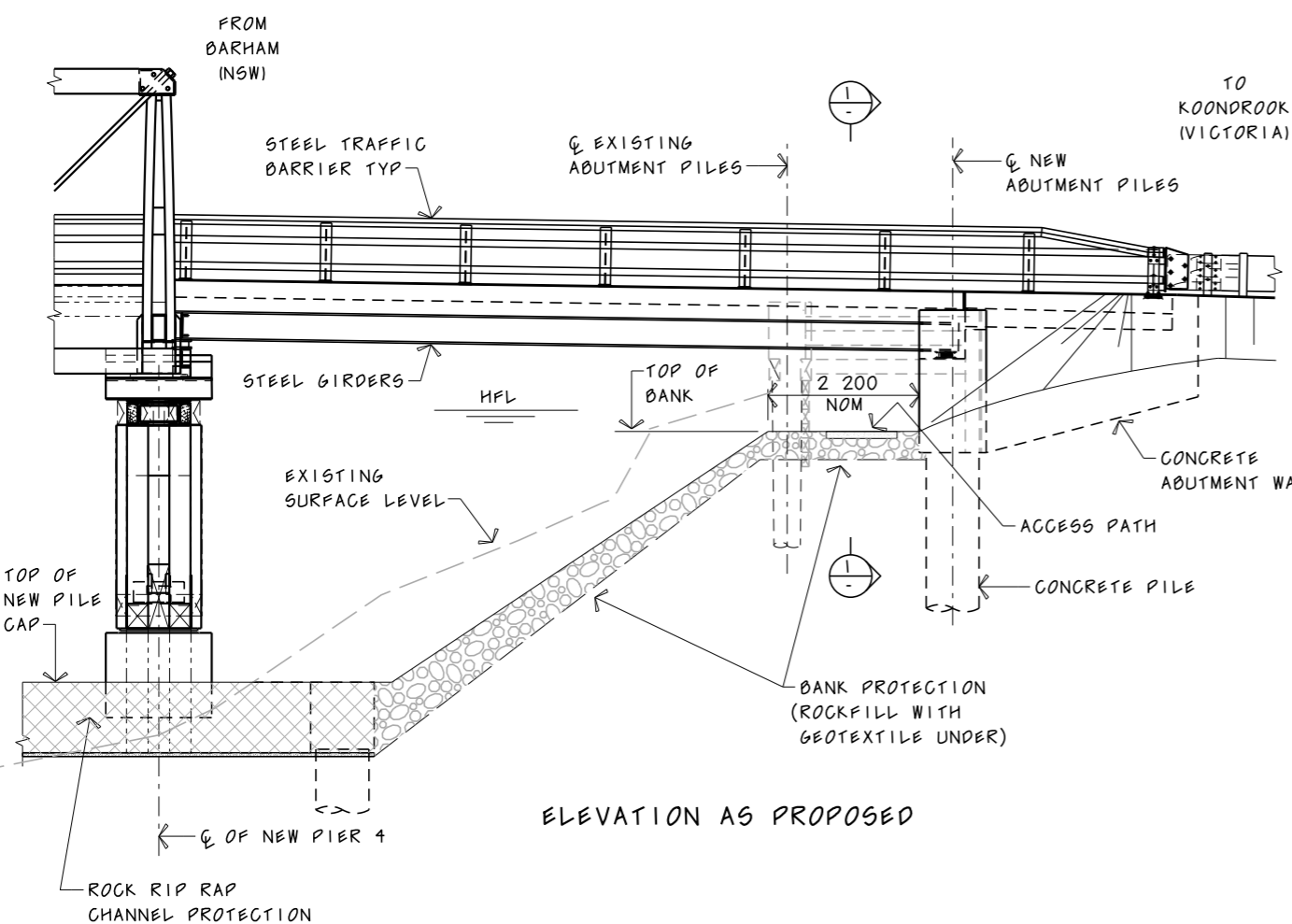
PREPARED	CHECKED	SKETCH No
DESIGNS EDIRIWEERA	M MANGAL	KA812HCS
DRAWING _FB_	S EDIRIWEERA	BRIDGE NUMBER
		B3256
ISSUE STATUS:		FINAL
J McPHAIL 11.7.2013	SUPERVISING BRIDGE ENGINEER (REHABILITATION DESIGN)	SHEET No 1 OF 14 ISSUE



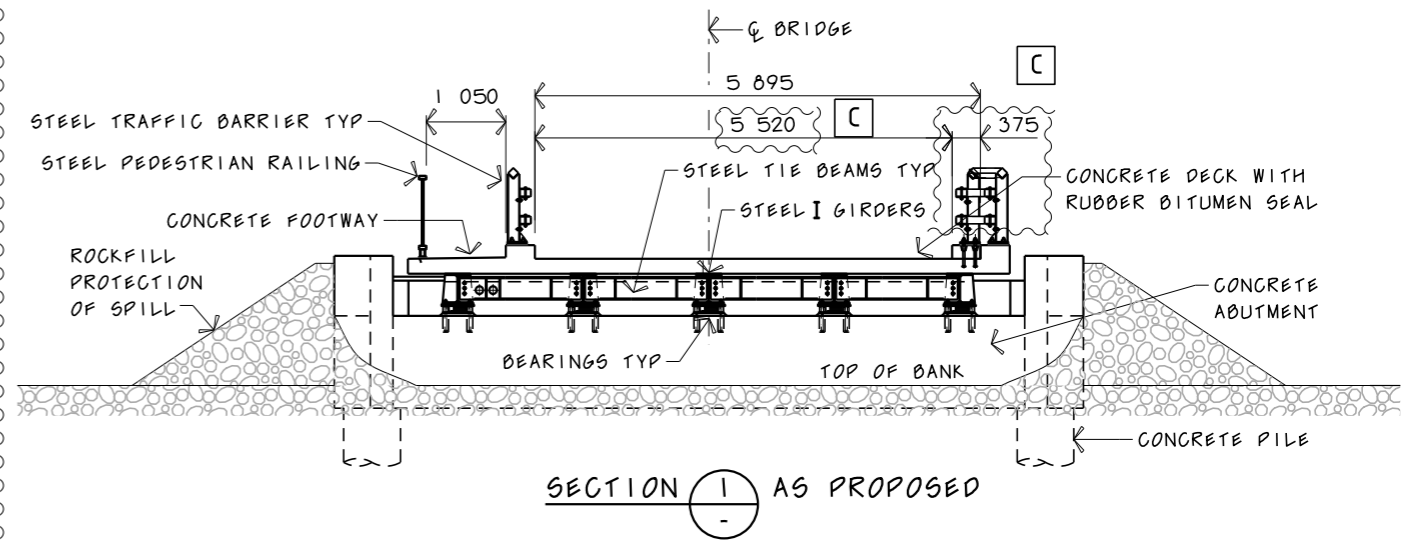
ELEVATION AS EXISTING



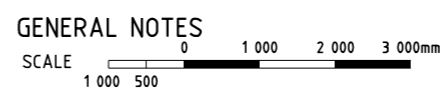
SECTION 1 AS EXISTING



ELEVATION AS PROPOSED



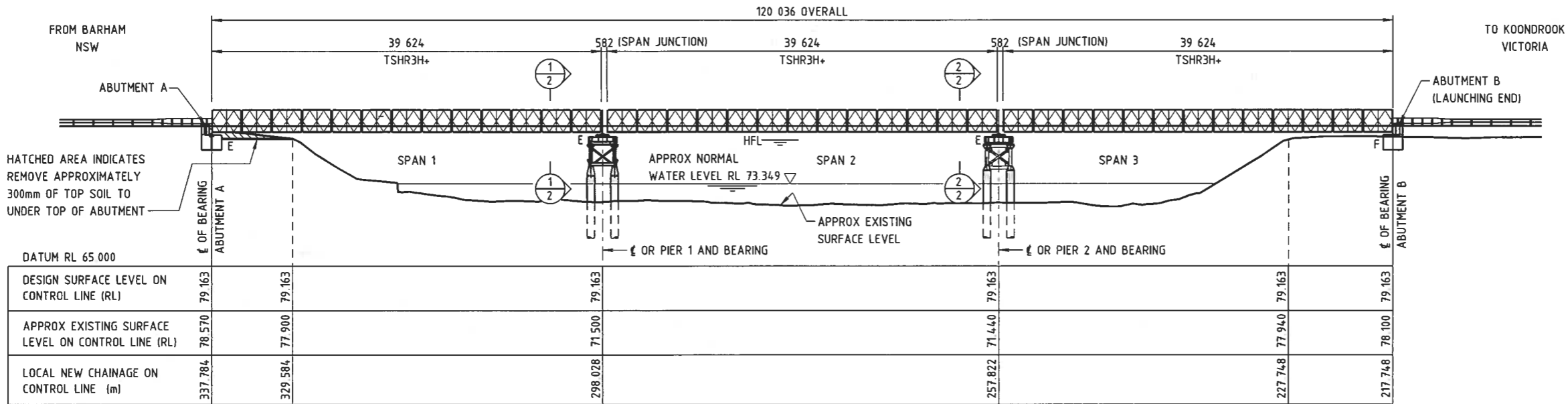
SECTION 1 AS PROPOSED



FOR OTHER GENERAL NOTES RELATING TO THIS SHEET, SEE SHEET No. 1.

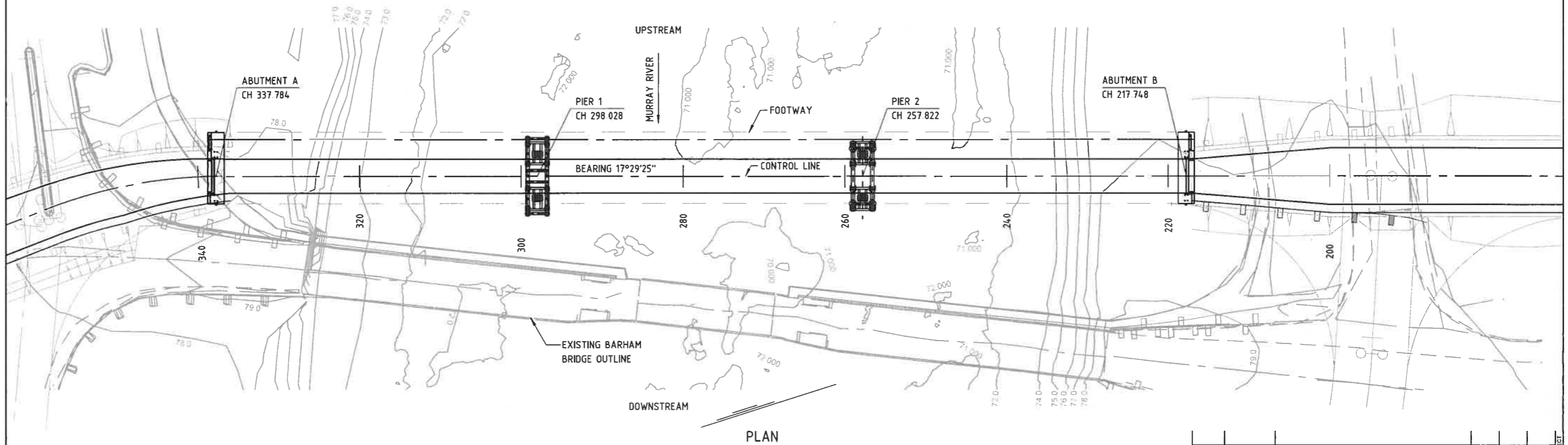
C	SEP 2014	GENERALLY REVISED	FB	SE	JMcP
B	02.12.2013	GENERAL REVISION	FB	SE	JMcP
ISSUE	DATE	REVISION	PREP	CHECK	AUTH
MAIN ROAD No 319			SHIRE OF WAKOOL		
BRIDGE OVER MURRAY RIVER AT BARHAM BRIDGE REHABILITATION - HERITAGE CONCEPT SKETCH ABUTMENT B					
Transport Roads & Maritime Services			PREPARED BY BRIDGE AND STRUCTURAL ENGINEERING BRANCH 110 GEORGE STREET PARRAMATTA NSW 2150 PHONE (02) 8837-0832 FACSIMILE (02) 8837-0023 CLIENT: SOUTH WEST REGIONAL OFFICE 1 SIMMONS STREET WAGGA WAGGA PHONE (02) 6938-1111 FACSIMILE (02) 6938-1183		
PREPARED A NICHOLAS DESIGNS EDIRIWEERA	CHECKED M MANGAL A NICHOLAS S EDIRIWEERA	SKETCH No KA812HCS	BRIDGE NUMBER	B3256	
DRAWING - FB -		ISSUE STATUS:	FINAL		
J McPHAIL 11.7.2013 SUPERVISING BRIDGE ENGINEER (REHABILITATION DESIGN)		SHEET No	2 OF 14	ISSUE	C
CAD No KA812HCS2_C.dgn			© COPYRIGHT ROADS AND MARITIME SERVICES 2012		

K:\Bridge\Current\Projects\Asset\A812_Murray\Barham\Timber\Trust\HERITAGE SKETCHES\KA812HCS2_C.dgn 10/09/2014 10:57 AM



DATUM RL 65 000	CH 337 784	CH 329 584	CH 298 028	CH 257 822	CH 227 748	CH 217 748
DESIGN SURFACE LEVEL ON CONTROL LINE (RL)	79.163	79.163	79.163	79.163	79.163	79.163
APPROX EXISTING SURFACE LEVEL ON CONTROL LINE (RL)	78.570	77.900	71.500	71.440	77.940	78.100
LOCAL NEW CHAINAGE ON CONTROL LINE (m)	337.784	329.584	298.028	257.822	227.748	217.748

ELEVATION



PLAN

ALL WORK SHALL BE CARRIED OUT SAFELY AND IN COMPLIANCE WITH ALL RELEVANT WORK HEALTH AND SAFETY REQUIREMENTS, SUCH AS GENERAL LEGISLATION, STATUTORY REGULATIONS, RMS POLICIES AND GUIDELINES, AND AUSTRALIAN CODES OF PRACTICE AND STANDARDS. IT IS THE RESPONSIBILITY OF THE USER OF THIS DESIGN TO DETERMINE THE APPROPRIATE WORK HEALTH AND SAFETY REQUIREMENTS.

MABEY BRIDGE BUILDING AND LAUNCHING SHALL BE SUPERVISED BY A COMPETENT ENGINEER, WITH FULL UNDERSTANDING WITH MABEY AND JOHNSON COMPACT 200 MANUALS (PUBLICATION REFERENCE: 81C04, 82C04 AND 83C04).

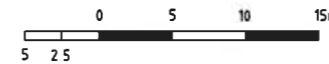
QA RECORDS COMPLETED AND DRAWINGS RECOMMENDED FOR APPROVAL

 PROJECT ENGINEER
 DATE 19/11/2015

APPROVED

 SENIOR BRIDGE ENGINEER (REHABILITATION DESIGN)
 DATE 20/11/2015

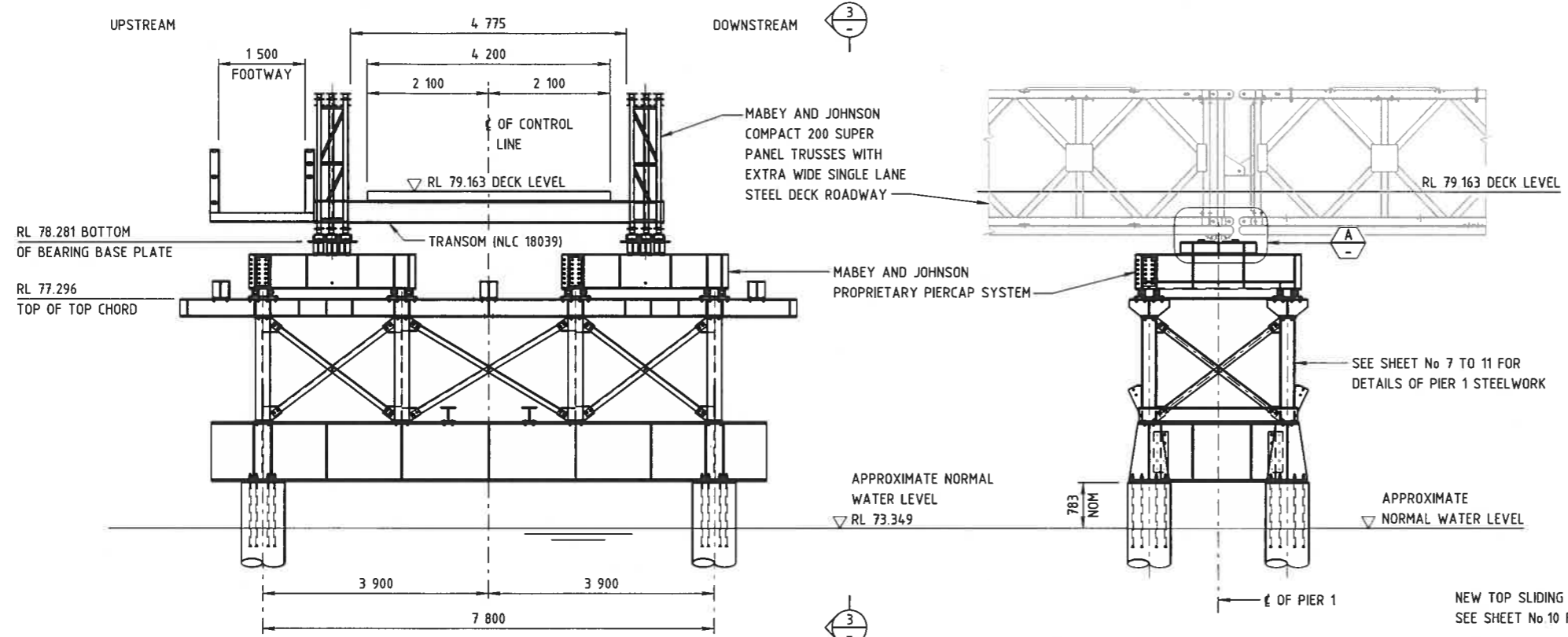
GENERAL NOTES



SCALE

DIMENSIONS ARE IN MILLIMETRES.
 CHAINAGES AND REDUCED LEVELS ARE IN METRES
 REDUCED LEVELS ARE RELATED TO AHD.
 ULTIMATE FLOOD VELOCITY - 10m/s
 F DENOTES FIXED BEARING
 E DENOTES SLIDING BEARING
 GROUND PROFILE IS BASED ON DETAILED SURVEY REFERENCE No. 2015768.

ISSUE	DATE	REVISION	PREP	CHECK	AUTH
MAIN ROAD No 319 SHIRE OF WAKOOL					
BRIDGE OVER MURRAY RIVER AT BARHAM					
TEMPORARY BRIDGING					
GENERAL ARRANGEMENT - SHEET A					
Transport Roads & Maritime Services			PREPARED BY BRIDGE ENGINEERING BRANCH 110 GEORGE STREET PARRAMATTA NSW 2150 PHONE (02) 8837-0832 FACSIMILE (02) 8837-0056 CLIENT: SOUTH WEST REGIONAL OFFICE 1 SIMMONS STREET WAGGA WAGGA PHONE (02) 6938-1111 FACSIMILE (02) 6938-1183		
PREPARED	CHECKED	SKETCH No			
DESIGN	C. GANESAMURTHY	KA916TMB			
DRAWING	FB	BRIDGE NUMBER		N/A	
ISSUE STATUS: FOR CONSTRUCTION					
 BRIDGE ENGINEER (REHABILITATION DESIGN) DATE 19/11/15				SHEET No 1 OF 22 ISSUE A	
CAD No KA916GAA.dgn © COPYRIGHT ROADS AND MARITIME SERVICES 2014					

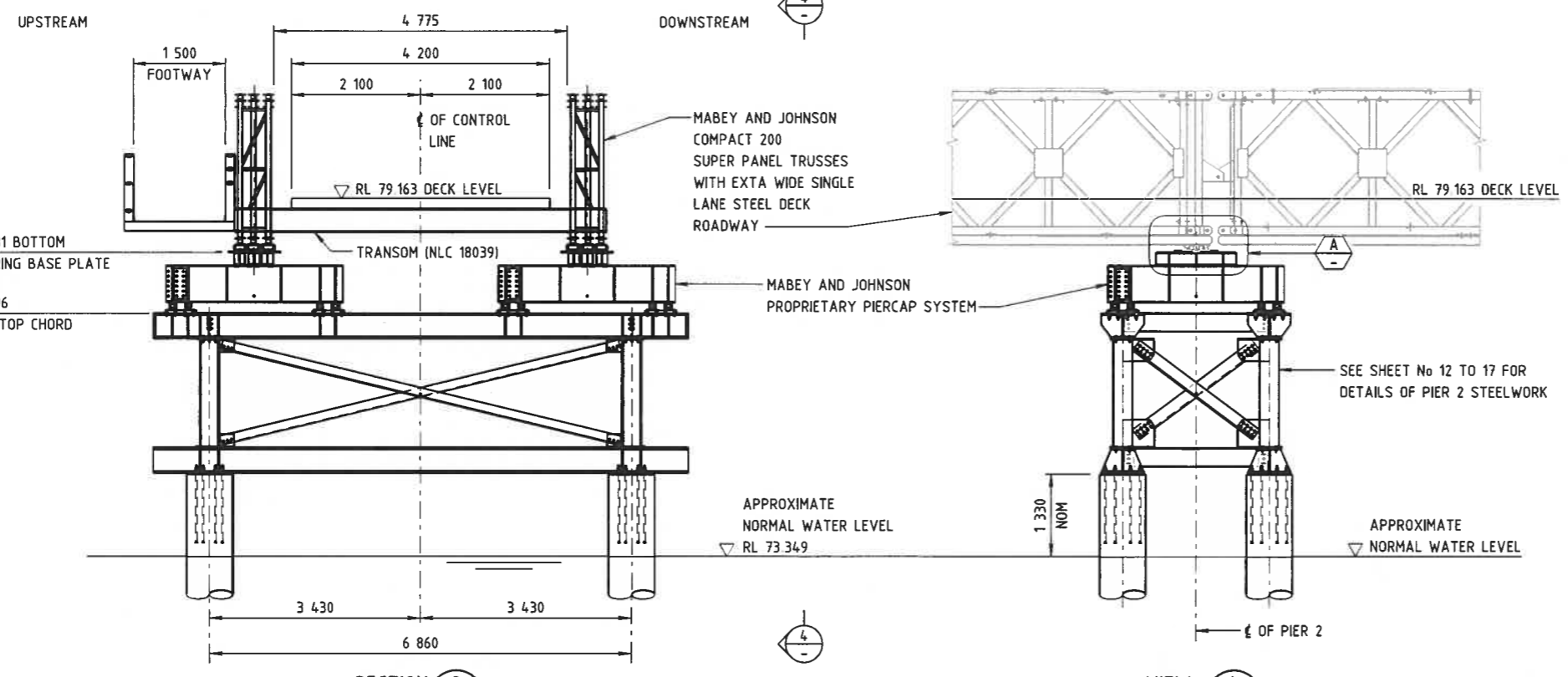
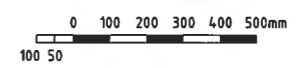
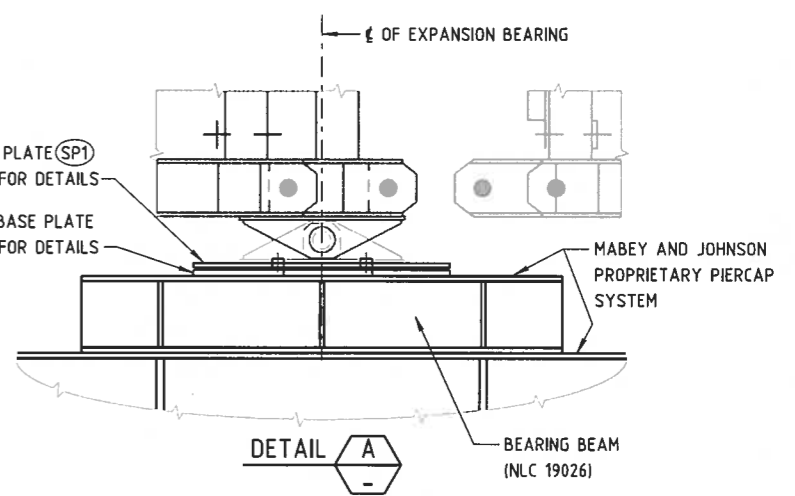


SECTION 1
1

VIEW 3
-

NEW SLIDING PLATE AND MODIFIED MABEY BASE PLATE REQUIRED FOR ALL EXPANSION BEARINGS AT ABUTMENT A, PIER 1 AND PIER 2

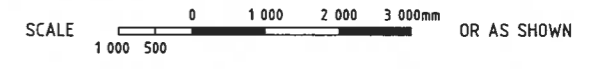
NEW TOP SLIDING PLATE (SP1)
SEE SHEET No 10 FOR DETAILS
MODIFIED MABEY BASE PLATE
SEE SHEET No 10 FOR DETAILS



SECTION 2
1

VIEW 4
-

GENERAL NOTES



FOR OTHER GENERAL NOTES RELATING TO THIS SHEET, SEE SHEET No 1.

ISSUE	DATE	REVISION	PREP	CHECK	AUTH
MAIN ROAD No 319 SHIRE OF WAKOOL					
BRIDGE OVER MURRAY RIVER AT BARHAM TEMPORARY BRIDGING					
GENERAL ARRANGEMENT - SHEET B					
Transport Roads & Maritime Services			PREPARED BY BRIDGE ENGINEERING BRANCH 110 GEORGE STREET PARRAMATTA NSW 2150 PHONE (02) 8837-0832 FACSIMILE (02) 8837-0056 CLIENT: SOUTH WEST REGIONAL OFFICE 1 SIMMONS STREET WAGGA WAGGA PHONE (02) 6938-1111 FACSIMILE (02) 6938-1183		
PREPARED	CHECKED	SKETCH No			
DESIGN	C. GANESAMURTHY	KA916TMB			
DRAWING	FB	BRIDGE NUMBER	N/A		
ISSUE STATUS: FOR CONSTRUCTION					
SHEET No 2 OF 22 ISSUE A					