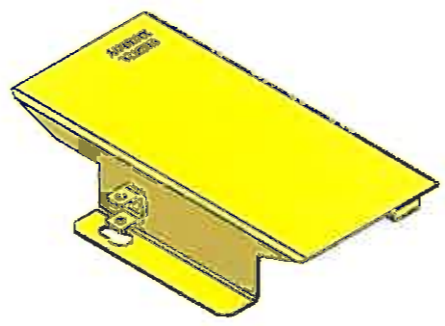


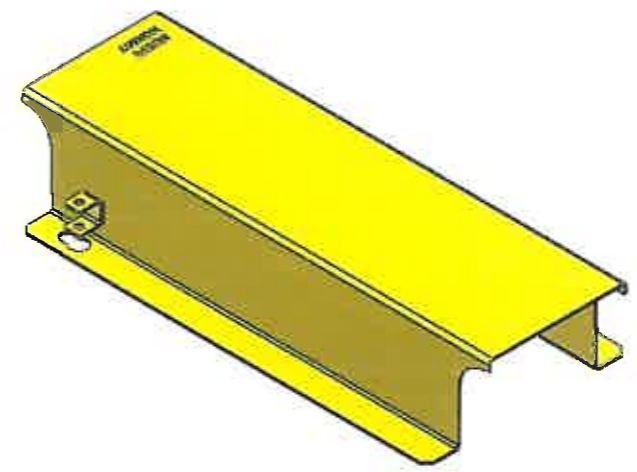
DIMENSIONS	AIR MOTOR LAYOUT (Pt No M02673A/B/F)										84M MACHINE LAYOUT (Pt No M02673C)									
	A	B	C	D1	D2	E	F	G	K	L	A	B	C	D1	D2	E	F	G	K	L
COVER 1 USED BETWEEN DRIVE MOTOR & STOCK RAIL (M02673A)	235	305	440	135	70	150	85	28	43	36	250	285	355	70	35	150	85	28	58	51
COVER 2 USED IN FOUR FOOT AREA BOTH LAYOUT (M02673B)	610	655	700	45	45	500	135	16	52	45										
COVER 3 USED ON REAR INBEARER (M02673F)	145	260	370	110	115	75	85	28	28	21										

TABLE OF COVERS REQUIRED FOR EACH POINT LAYOUT

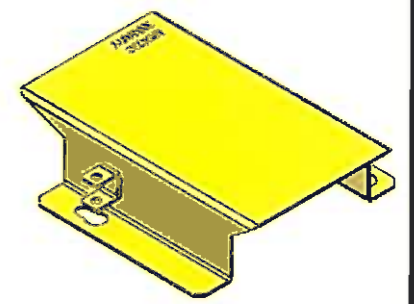
MOTOR	MOTOR SIDE AREA A & B BEAMS	FOUR FOOT AREA A & B BEAMS	FAR SIDE A & B BEAMS		MOTOR SIDE REAR INBEARER	FAR SIDE REAR INBEARER
			BACKDRIVE	NONE BACKDRIVE		
E.P.	M02673A (2 REQUIRED)	M02673B (2 REQUIRED ADD ONE EVERY REAR INBEARER)	M02673E (2 REQUIRED SPHERO, ONE REQUIRED CLAW, ONE REQUIRED SLAM, ONE REQUIRED CLAW, ONE REQUIRED SLAM, ONE REQUIRED CLAW)	M02673F (2 REQUIRED)	M02673F (1 REQUIRED ADD ONE EVERY ADDITIONAL REAR INBEARER)	NO COVER REQUIRED
84M	M02673C (2 REQUIRED)	M02673B (2 REQUIRED ADD ONE EVERY REAR INBEARER)	M02673E (2 REQUIRED SPHERO, ONE REQUIRED CLAW, ONE REQUIRED SLAM, ONE REQUIRED CLAW)	M02673F (2 REQUIRED)	M02673F (1 REQUIRED ADD ONE EVERY ADDITIONAL REAR INBEARER)	NO COVER REQUIRED



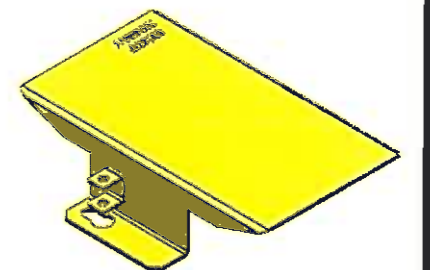
M02673A (EP DRIVE LUG COVER) S/C: 2077758



M02673B (COVER FOR FOUR FOOT AREA) S/C: 2077766

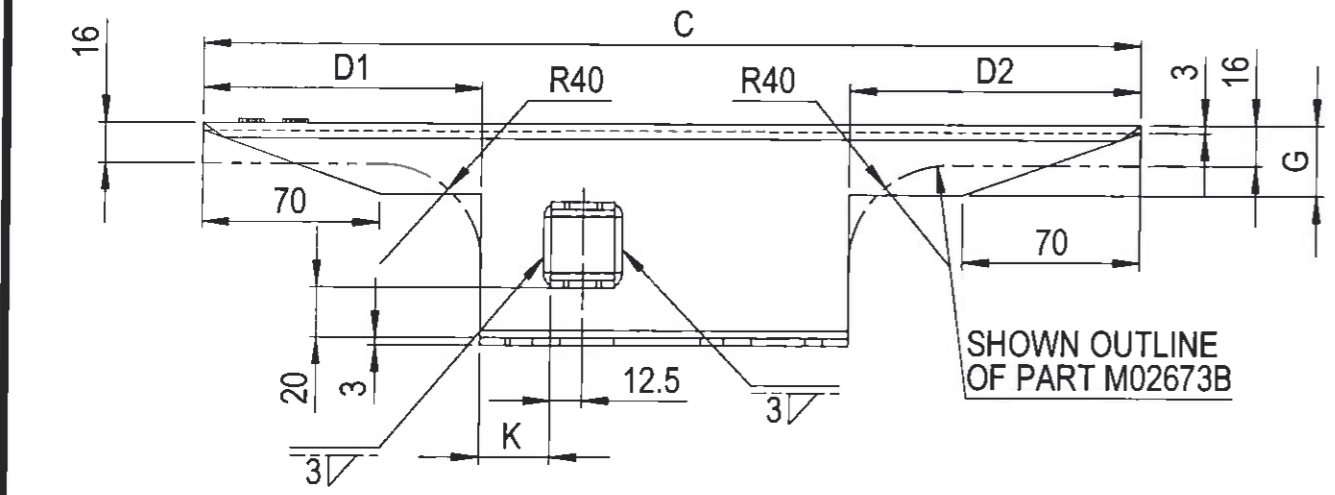
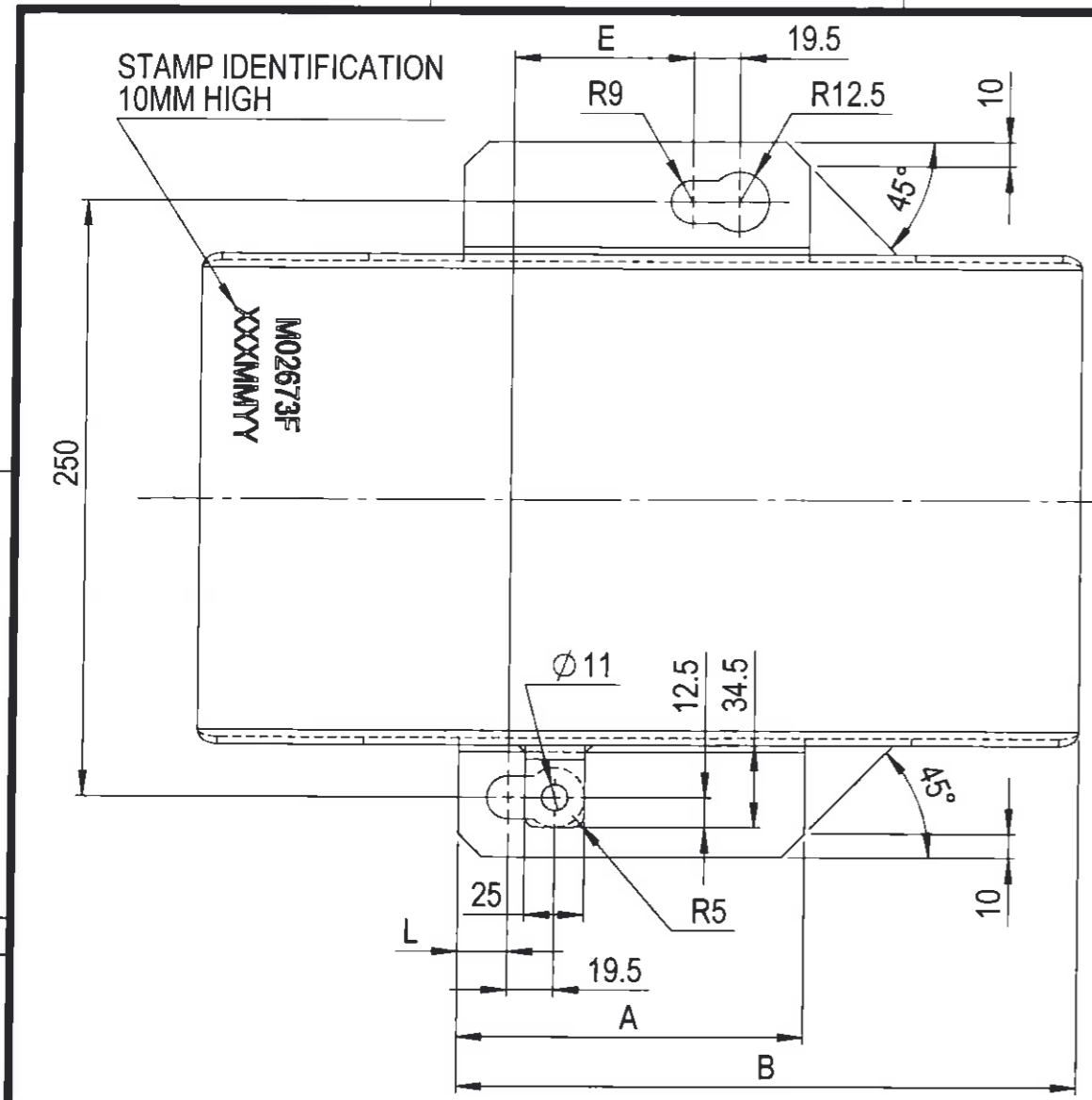


M02673C (84M POINT MACHINE DRIVE COVER) S/C: 2077816



M02673F (COVER FOR FAR SIDE A&B BEAMS & MOTOR SIDE REAR INBEARER) S/C: 2077824

NOTE:
 1. THE COVER IS DESIGNED TO SUIT RAILCORP REQUIREMENTS MATERIAL: AS2379-250 1 COAT OF VIVID YELLOW Y13 PAINT TO AS2700
 2. PART NO: M02673F IS SHOWN IN DRAWING OTHERS REFER TO ABOVE TABLE IN DIMENSIONS OF COVERS USED IN DIFFERENT LAYOUTS/AREAS



VERSION	DESCRIPTION	DATE	DRAWN	REVIEWED	VERIFIED	APPROVED
8	PART M02673A MODIFIED AND ALL COVERS ARE UPDATED TO SOLIDWORKS	5/3/12	C.Y.L.	C.Y.L.	R.L.F.	R.W.A.
1-7	COVER FOR FOUR FOOT AREA HAS BEEN MODIFIED 70MM CUT BOTH SIDES	29/6/11	C.Y.L.	C.Y.L.	R.L.F.	R.W.A.

GENERAL TOLERANCES
 LINEAR
 < 1000 : 0.5mm
 > 1000 : 3mm
 RADIAL
 < 500 : 0.25mm
 > 500 : 1.5mm
 ANGULAR : 30'

RailCorp
 SIGNALS
 Chief Engineer's Division

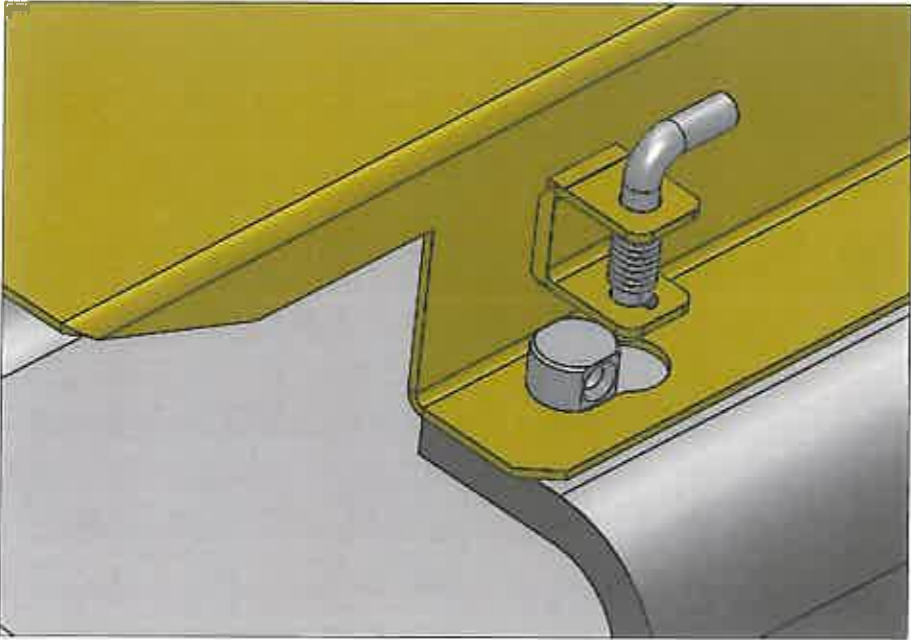
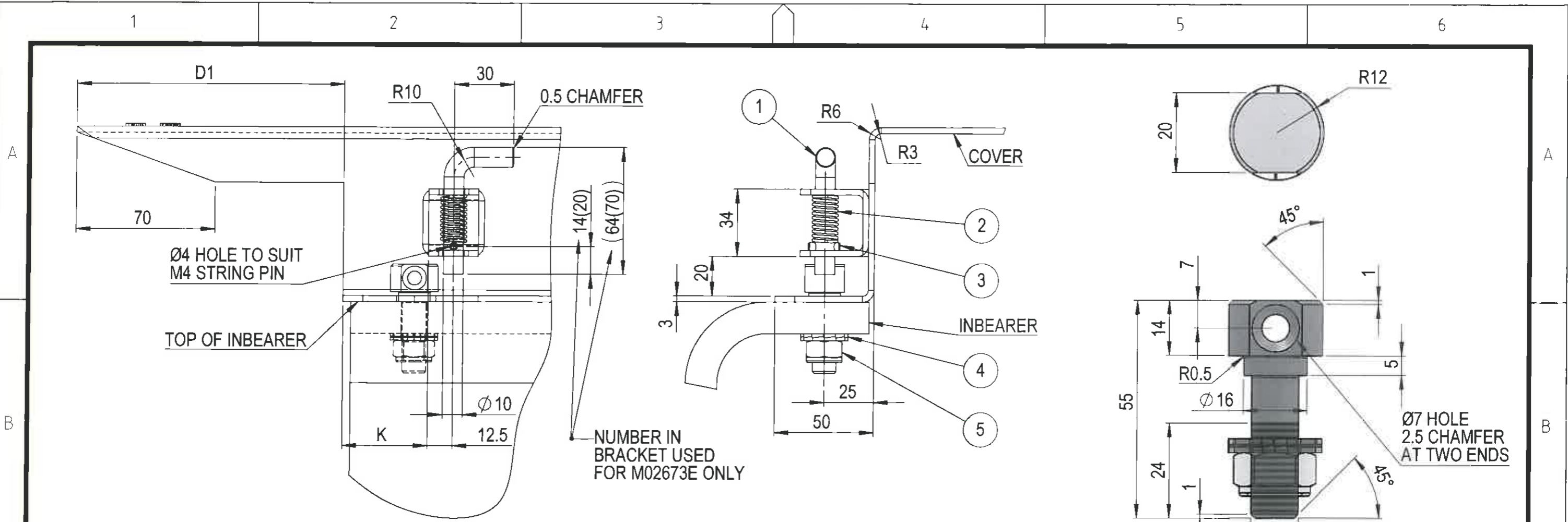
EDMS: SG0350556

CAD DO NOT AMEND MANUALLY

TITLE		DESIGNED	DRAWN	REVIEWED	VERIFIED	APPROVED
PROTECTION COVERS USED ON INBEARER IN AIR MOTOR OR 84M MACHINE LAYOUTS		C. Liang	C. Liang	R.L.F.	P.S.	D.D.
DATE	SCALE	DRG No	SHEET	REV No	A3	
23/06/2009	N. T. S.	M02-673	OF 3	8		

This drawing and the information contained thereon have been created solely for a particular purpose and client. This is protected by copyright. You may not reproduce any of it in any form without the written permission of Rail Corporation New South Wales. If you do, you may have to pay damages to Rail Corporation New South Wales or you may be prosecuted.

ALL DIMENSIONS IN MILLIMETRES
 AS 1100
 THIRD ANGLE PROJECTION



1. LOCK PIN(PART NO: M02673G)
MATERIAL: STAINLESS STEEL 316
1 OFF FOR EACH COVER

2. SPRING
MATERIAL: STAINLESS STEEL
1 OFF FOR EACH COVER
OUTSIDE DIA: 13.2MM
INSIDE DIA: 10.4MM
10 COILS / MATERIAL DIA: 1.4MM
PITCH: 2.5MM / FREE LENGTH: 27.4MM

3. SPRING PIN
MATERIAL: ZINC PLATED / DIA: M4, LENGTH: 16
1 OFF FOR EACH COVER
BLACKWOODS (PART NO: 0132 5506)

4. DISC LOCK VIBRATION PROOF WASHERS (S/C: 2077881)
MATERIAL: ZINC PLATED / DIA: 12,
2 SETS OFF
BLACKWOODS (PART NO: 0440 4162)

LOCK BOLT (Pt No: M02673D)
STOCK CODE: 2077881
MATERIAL: STAINLESS STL 316
2 OFF FOR EACH COVER

ALL SURFACES $\sqrt{3.2}$

5. M12 NYLOC NUTS (S/C: 2077881)
MATERIAL: ZINC PLATED, 2 OFF
BLACKWOODS (PART NO: 0209 3604)

VERSION	DESCRIPTION	DATE	DRAWN	REVIEWED	VERIFIED	APPROVED
6	DRAWING UPDATED TO SOLIDWORK FORMAT	5/3/12	C.Y.L.	<i>C. Liang</i>	<i>Int</i>	
1-5	LENGTH OF LOCK PIN CHANGED 64(70), DISTANCE OF HOLE IS 14(20) DIMENSION IN BRACKET USED FOR M02673E	26/8/10	C.Y.L.	C.Y.L.	A.N.	R.W.A.

GENERAL TOLERANCES

LINEAR	< 1000	: 0.5mm
	1000	: 3mm
RADIAL	< 500	: 0.25mm
	500	: 1.5mm
ANGULAR		: 30'

RailCorp
SIGNALS
Chief Engineer's Division

EDMS: SG0350557

TITLE ASSOCIATED COMPONENTS WITH PROTECTION COVERS USED ON INBEARER IN AIR MOTOR OR 84M MACHINE LAYOUTS				
DESIGNED C. Liang	DRAWN C. Liang	REVIEWED R.L.F.	VERIFIED P.S.	APPROVED D.D.
DATE 23/06/2009	SCALE N. T. S.	DRG No M02-673	SHEET 2 OF 3	REV No 6

This drawing and the information contained thereon have been created solely for a particular purpose and client. This is protected by copyright. You may not reproduce any of it in any form without the written permission of Rail Corporation New South Wales, if you do, you may have to pay damages to Rail Corporation New South Wales or you may be prosecuted.

© ALL DIMENSIONS IN MILLIMETRES

AS 1100

CAD DO NOT AMEND MANUALLY

AS 1100

CAD DO NOT AMEND MANUALLY

DATE 23/06/2009

SCALE N. T. S.

DRG No M02-673

SHEET 2 OF 3

REV No 6

A3

