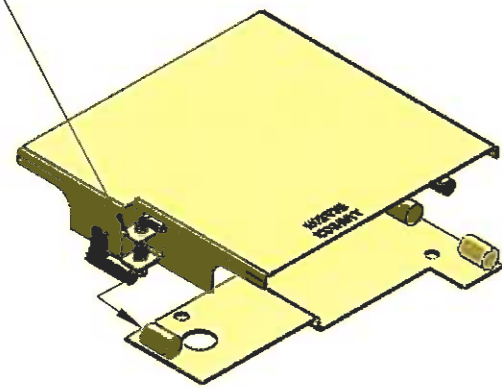
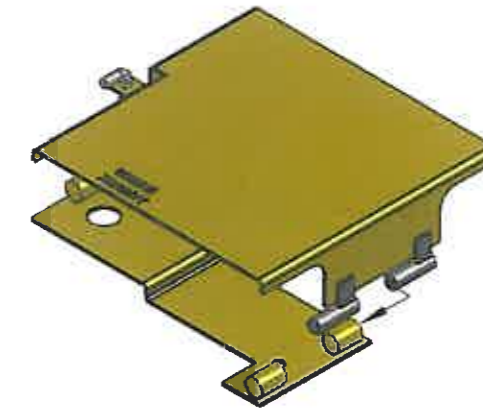
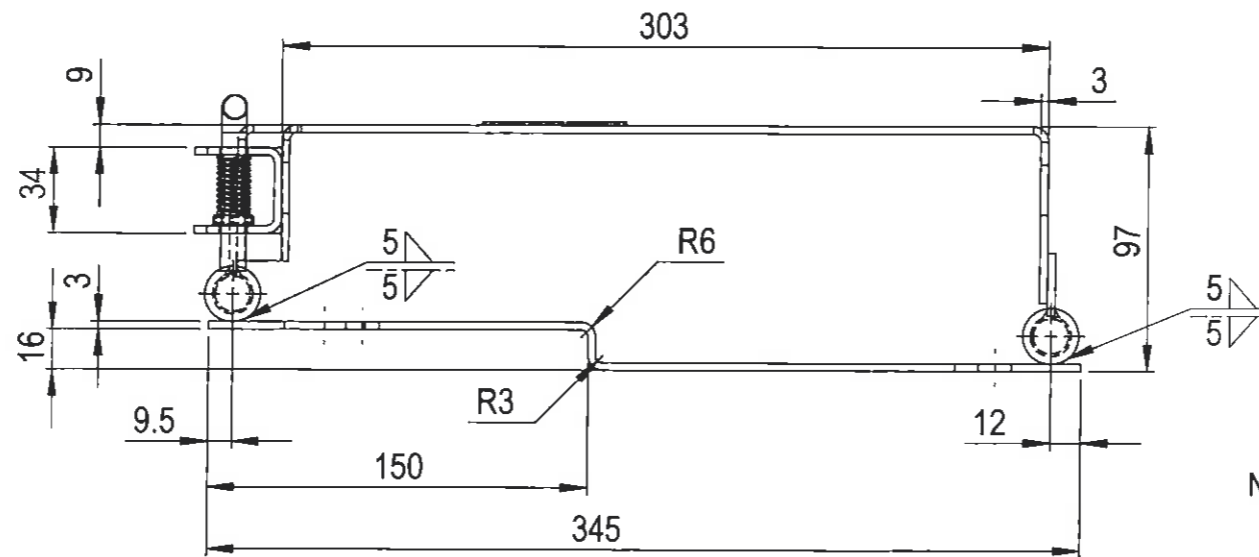


MATERIAL: FLAT STL
20X3 AND ROUND STL
16 DIA AND BLACK
PIPE MEDIUM 21.3X2.6
REQUIRE 0.85MM GAP
IN WELDING WITH
BASEPLATE

OTHER DIMENSIONS OF U SHAPE
BRACKET REFER TO SHT 1 OF 3



COVER AND BASEPLATE1 (M02673E)
STOCK CODE: 2077832



COVER AND BASEPLATE1 (M02673E)

NOTE: COVER AND BASEPLATE ARE DESIGNED TO SUIT RAILCORP
REQUIREMENTS,
MATERIAL: AS2379-250, 3MM THICK AND 1 COAT OF VIVID
YELLOW Y13 PAINT TO AS2700

<p>4 DRAWING UPDATED TO SOLIDWORK FORMAT AND DIMENSION UPDATED 5/3/12 C.Y.L. <i>[Signature]</i> <i>[Signature]</i></p> <p>1-3 COVER MODIFIED TO SUIT FASTENERS SETTING ON RAILPLATE AND HINGE INFORMATION ADDED 3/3/11 C.Y.L. C.Y.L. R.L.F. R.W.A.</p>				<p>GENERAL TOLERANCES LINEAR <1000 +0.5mm >1000 +3mm RADIAL <500 +0.25mm >500 +1.5mm ANGULAR +30'</p>		<p>RailCorp SIGNALS Chief Engineer's Division</p>		<p>TITLE PROTECTION COVERS USED ON INBEARER IN AIR MOTOR OR 84M MACHINE LAYOUTS</p>						
VERSION	DESCRIPTION	DATE	DRAWN	REVIEWED	VERIFIED	APPROVED	SIGNAL DESIGN	EDMS: 0350558	DESIGNED C. Liang	DRAWN C. Liang	REVIEWED R.L.F.	VERIFIED P.S.	APPROVED D.D.	
<p>This drawing and the information contained thereon have been created solely for a particular purpose and client. This is protected by copyright. You may not reproduce any of it in any form without the written permission of Rail Corporation New South Wales. If you do, you may have to pay damages to Rail Corporation New South Wales or you may be prosecuted.</p>								<p>DATE 23/06/2009</p>		SCALE N. T. S.	DRG. No M02-673	SHEET 3 OF 3	REV No 4	A3

CAD DO NOT AMEND MANUALLY