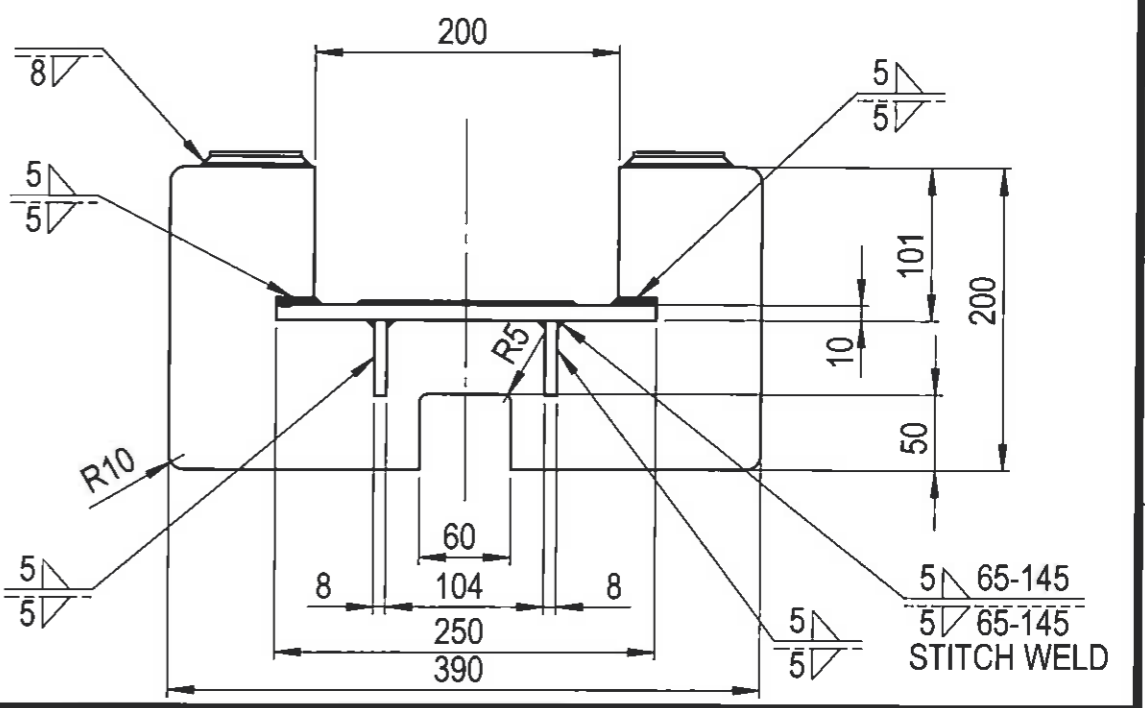
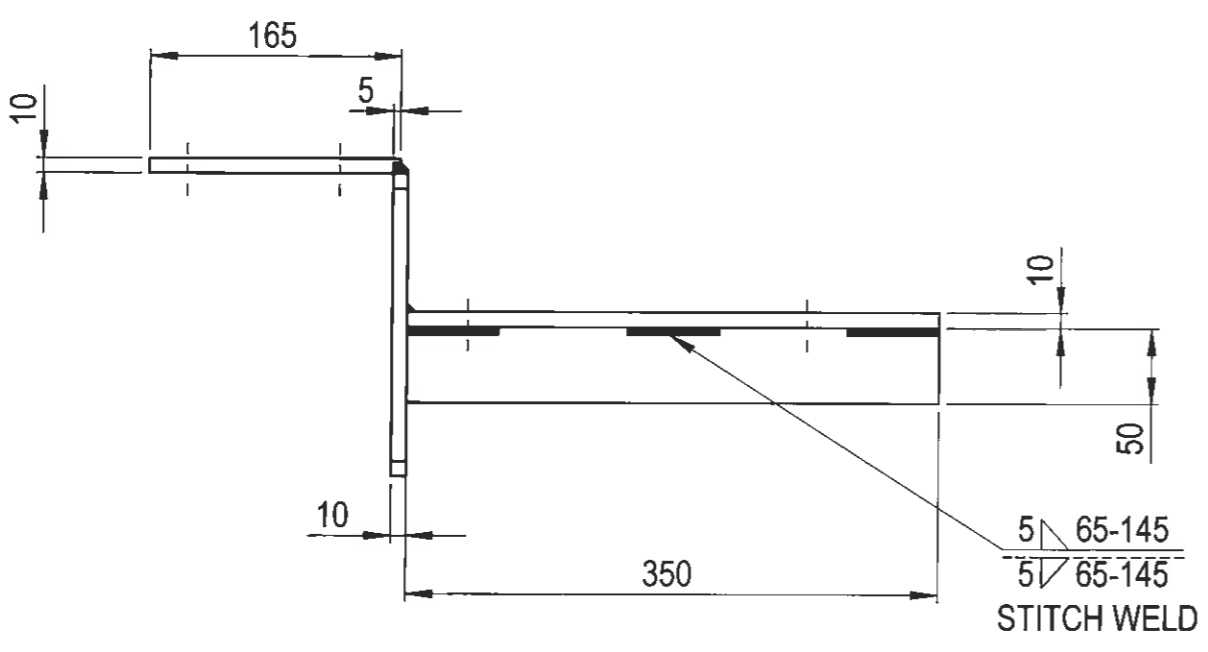
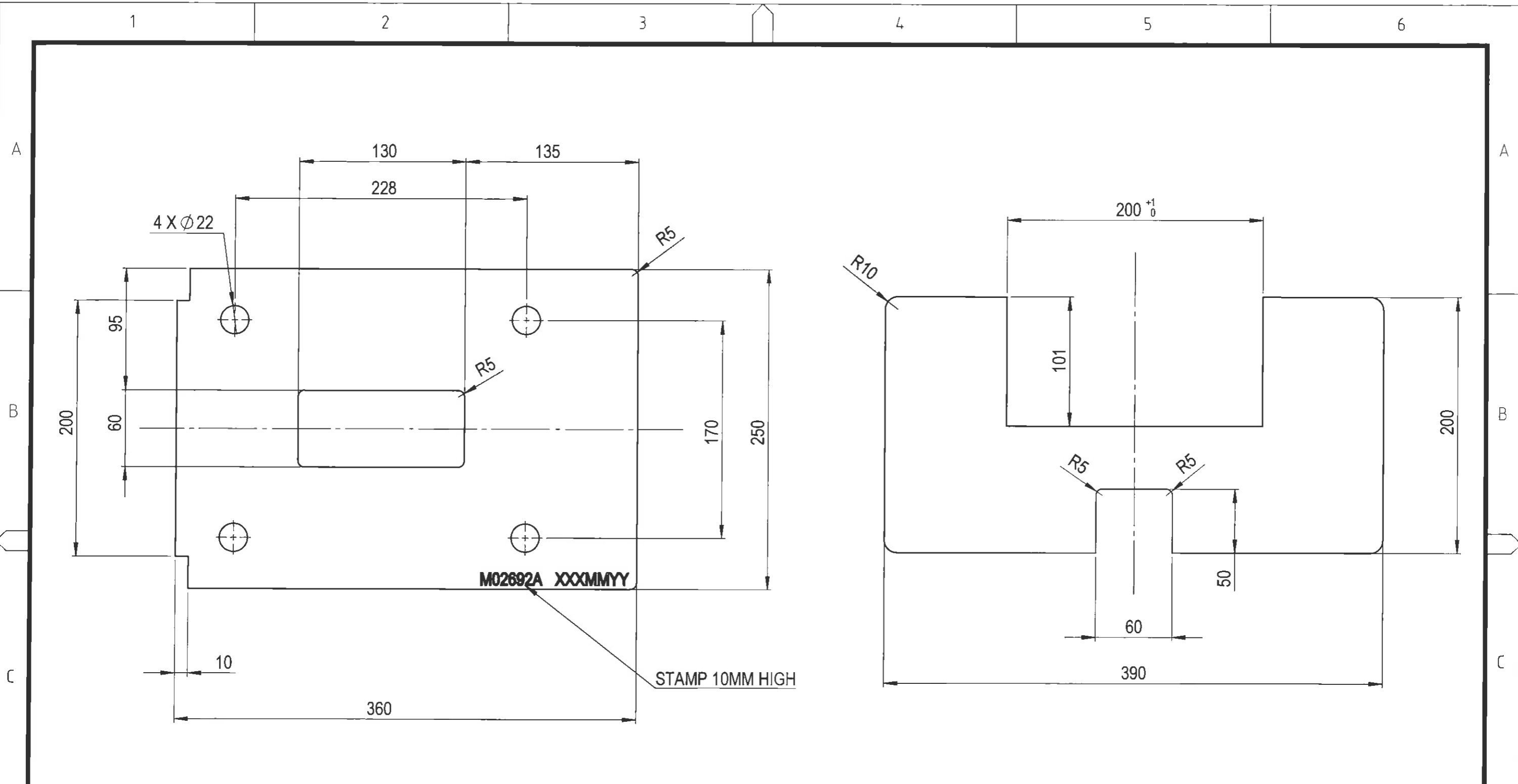


**DETECTOR HOLDER MOUNTED ON INBEARER**  
 PART NUMBER: M02692A  
 MATERIAL: 10MM PLATE TO AS3678-250 ACCEPT SPECIFIED FINISH: REMOVE ALL BURRS AND SHARP EDGES BEFORE APPLYING 1 COAT OF R.O.Z.P.



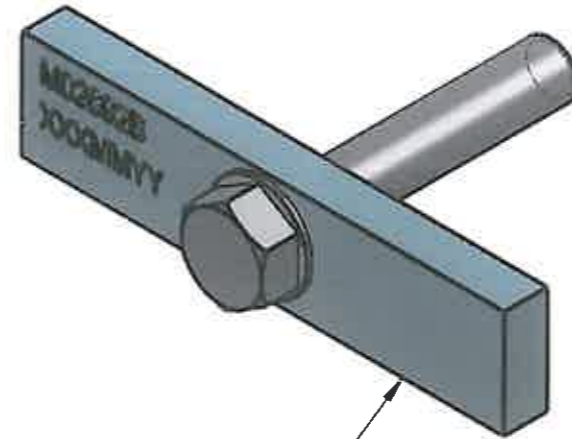
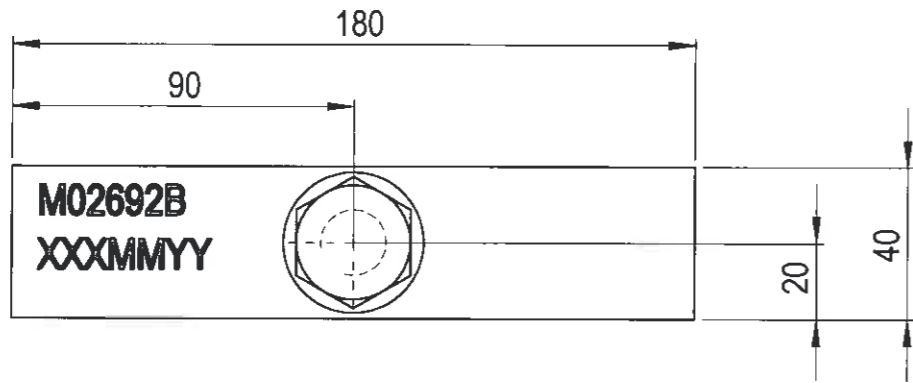
|   |  |                               |        |   |                    |  |  |                      |                    |                    |                    |                    |             |    |
|---|--|-------------------------------|--------|---|--------------------|--|--|----------------------|--------------------|--------------------|--------------------|--------------------|-------------|----|
| <b>GENERAL TOLERANCES</b><br>LINEAR<br>< 1000 + 0.5mm<br>> 1000 + 3mm<br>RADIAL<br>< 500 + 0.25mm<br>> 500 + 1.5mm<br>ANGULAR<br>+ 30'  |  |                               |        | <b>RailCorp</b><br>SIGNALS<br>Chief Engineer's Division |                    | <b>TITLE</b><br><b>DETECTOR HOLDER MOUNTED ON INBEARER</b> |  |                      |                    |                    |                    |                    |             |    |
| 1 THICKNESS 15MM CHANGED TO 10MM FOR TOP PLATE SIT ON TOP OF INBEARER AND A FEW DIMENSIONS UPDATED  |  | 05/04/12                      | C.Y.L. | <i>[Signature]</i>                                      | <i>[Signature]</i> | SIGNAL DESIGN<br>EDMS: SG0407775                           |  | DESIGNED<br>C. Liang | DRAWN<br>C. Liang  | REVIEWED<br>R.L.F. | VERIFIED<br>A.N.   | APPROVED<br>R.W.A. |             |    |
| This drawing and the information contained thereon have been created solely for a particular purpose and client. This is protected by copyright. You may not reproduce any of it in any form without the written permission of Rail Corporation New South Wales. If you do, you may have to pay damages to Rail Corporation New South Wales or you may be prosecuted. |  | ALL DIMENSIONS IN MILLIMETRES |        | AS 1100<br>THIRD ANGLE PROJECTION                       |                    | <b>CAD DO NOT AMEND MANUALLY</b>                           |  |                      | DATE<br>16/01/2012 | SCALE<br>N. T. S.  | DRG. No<br>M02-692 | SHEET 1 OF 3       | REV No<br>1 | A3 |



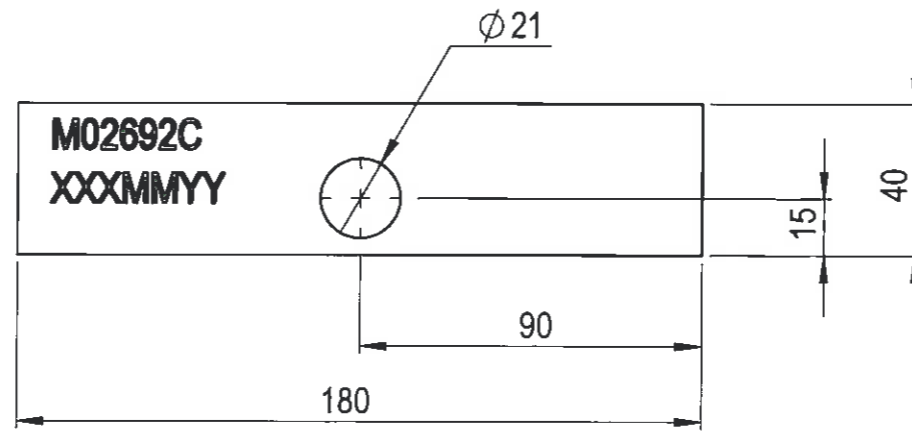
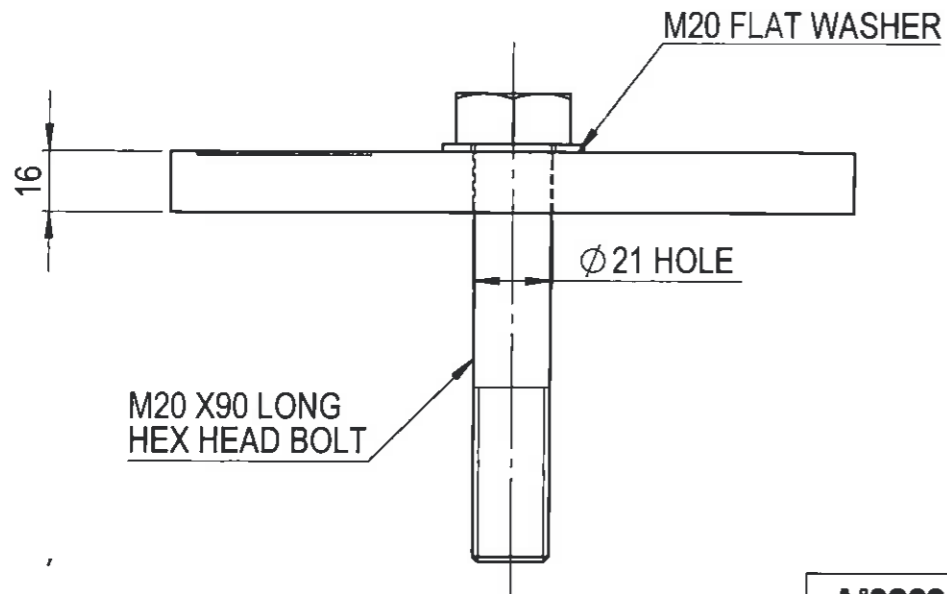
**MANUFACTURING DIMENSIONS**

NOTE: REMOVE ALL BURRS AND SHARP EDGES.

|   |  |                 |  |          |       |          |          |          |   |   |  |                                   |                   |                                  |             |          |  |  |
|---|--|-----------------|--|----------|-------|----------|----------|----------|---|---|--|-----------------------------------|-------------------|----------------------------------|-------------|----------|--|--|
| VERSION   |  | DESCRIPTION     |  | DATE     | DRAWN | REVIEWED | VERIFIED | APPROVED | GENERAL TOLERANCES<br>LINEAR<br><1000 + 0.5mm<br>>1000 - 3mm<br>RADIAL<br><500 + 0.25mm<br>>500 + 1.5mm<br>ANGULAR<br>+ 30° | <b>RailCorp</b><br>SIGNALS<br>Chief Engineer's Division | TITLE<br><b>DETECTOR HOLDER<br/>         MANUFACTURING DETAILS</b> |                                   |                   |                                  |             |          |  |  |
| SIGNAL DESIGN   |  | EDMS: SG0407775 |  | DESIGNED | DRAWN | REVIEWED | VERIFIED | APPROVED | DATE<br>12/06/2012  |   |  | SCALE<br>N. T. S.                 | DRG No<br>M02-692 | SHEET 2<br>OF 3                  | REV No<br>0 | No<br>A3 |  |  |
| This drawing and the information contained thereon have been created solely for a particular purpose and client. This is protected by copyright. You may not reproduce any of it in any form without the written permission of Rail Corporation New South Wales. If you do, you may have to pay damages to Rail Corporation New South Wales or you may be prosecuted. |  |                 |  |          |       |          |          |          |   | ALL DIMENSIONS IN MILLIMETRES                           |  | AS 1100<br>THIRD ANGLE PROJECTION |                   | <b>CAD DO NOT AMEND MANUALLY</b> |             |          |  |  |



**SUPPORT PLATE WITH M20 BOLT FOR DETECTOR HOLDER**  
 PART NUMBER: M02692B  
 MATERIAL: 40 X 16 FLAT MILD STEEL AS3679-250  
 FINISH: 1 COAT OF R.O.Z.P.



**SUPPORT PLATE FOR DETECTOR HOLDER**  
 PART NUMBER: M02692C  
 MATERIAL: 40 X 16 FLAT MILD STEEL AS3679-250  
 FINISH: 1 COAT OF R.O.Z.P.

| GENERAL TOLERANCES |              |
|--------------------|--------------|
| LINEAR             | <1000 +0.5mm |
|                    | >1000 +3mm   |
| RADIAL             | <500 +0.25mm |
|                    | >500 +1.5mm  |
| ANGULAR            | +30'         |

**RailCorp**  
 SIGNALS  
 Chief Engineer's Division

| TITLE    |            | SUPPORT PLATES FOR DETECTOR HOLDER |          |              |             |
|----------|------------|------------------------------------|----------|--------------|-------------|
| DESIGNED | C. Liang   | DRAWN                              | C. Liang | REVIEWED     | RLC         |
| DATE     | 12/06/2012 | SCALE                              | N. T. S. | DRG. No      | M02-692     |
|          |            |                                    |          | VERIFIED     | A. McArthur |
|          |            |                                    |          | APPROVED     | P. Smith    |
|          |            |                                    |          | REV. No      | 0           |
|          |            |                                    |          | SHEET 3 OF 3 | A3          |

**CAD DO NOT AMEND MANUALLY**

| VERSION | DESCRIPTION | DATE | DRAWN | REVIEWED | VERIFIED | APPROVED |
|---------|-------------|------|-------|----------|----------|----------|
|         |             |      |       |          |          |          |

© ALL DIMENSIONS IN MILLIMETRES  
 AS 1100 THIRD ANGLE PROJECTION

This drawing and the information contained thereon have been created solely for a particular purpose and client. This is protected by copyright. You may not reproduce any of it in any form without the written permission of Rail Corporation New South Wales. If you do, you may have to pay damages to Rail Corporation New South Wales or you may be prosecuted.