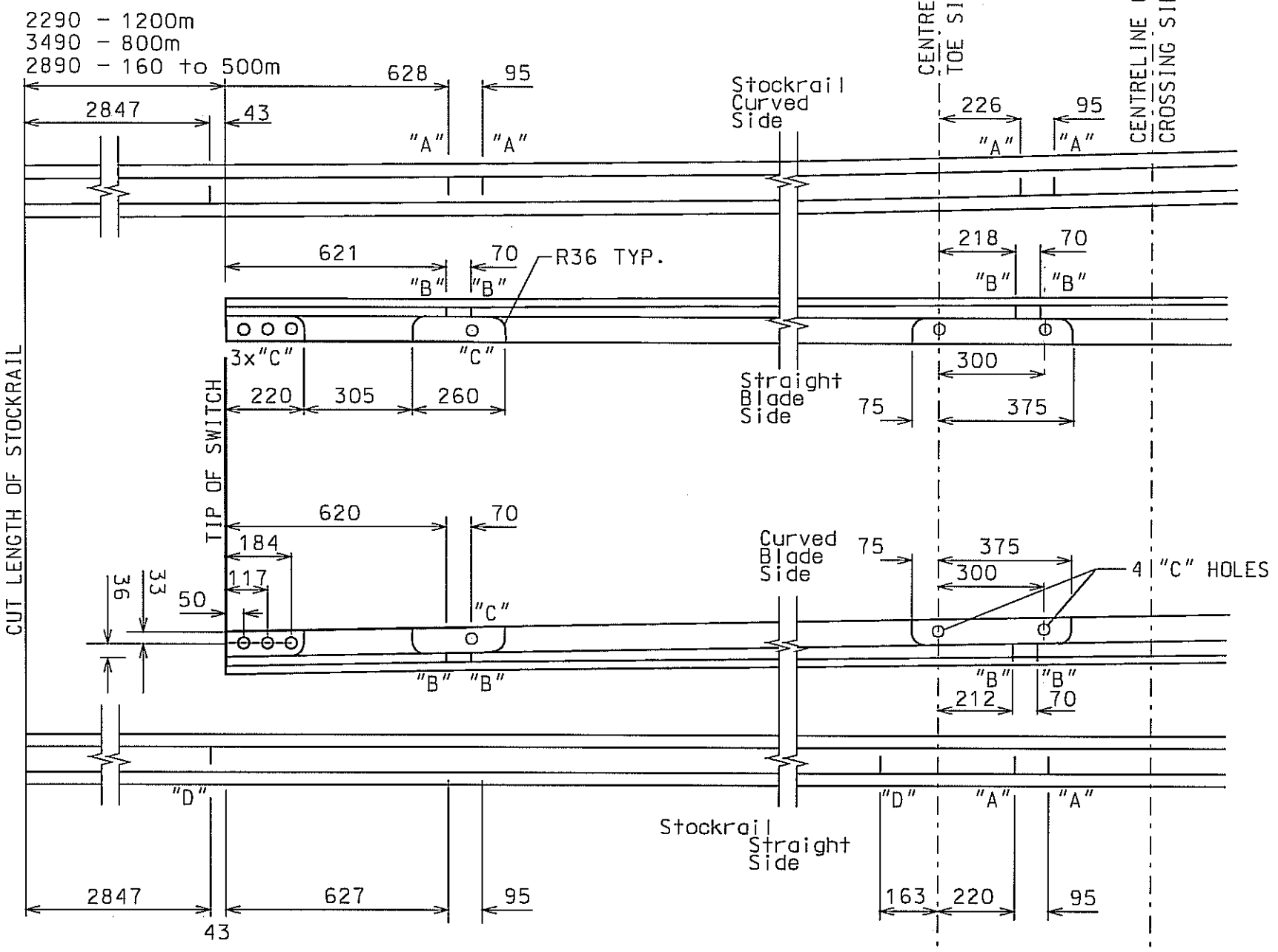


**TYPICAL SECTION**  
MACHINING AND DRILLING DETAILS



**HOLE LOCATION DETAILS AT TIP**

**HOLE LOCATION DETAILS AT BACKDRIVE POSITIONS**

(SLEEPER SPACING 600 ON STRAIGHT SIDE)

VERSION		DESCRIPTION		DATE	DRAWN	REVIEWED	VERIFIED	APPROVED	GENERAL TOLERANCES LINEAR: < 1000 ±0.5mm ≥ 1000 ±3mm RADIAL: < 500 ±0.25mm ≥ 500 ±1.5mm ANGULAR: 30'		<b>RailCorp</b> INFRASTRUCTURE GROUP Engineering Standards & Services Division	TITLE TANGENTIAL TURNOUTS DRILLING AND MACHINING DETAILS FOR SIGNALLING EQUIPMENT				
This drawing and the information contained thereon have been created solely for a particular purpose and client. This is protected by copyright. You may not reproduce any of it in any form without the written permission of Rail Corporation New South Wales. If you do, you may have to pay damages to Rail.		ALL DIMENSIONS IN MILLIMETRES		AS 1100 THIRD ANGLE PROJECTION		SIGNAL DESIGN <b>cad DO NOT AMEND MANUALLY</b>		DESIGNED R.F. DRAWN R.F. REVIEWED <i>[Signature]</i> VERIFIED <i>[Signature]</i> APPROVED <i>[Signature]</i>		DATE 20/08/07 SCALE N.T.S. DRG. No. M10-509 REV. No. 0 A3						